



Mercedes-Benz
UNIMOG



- **Age range: 37~96months**
- **Load limit: 30kg**
- **The assembling and recharging process should be performed by adults.**
- **For the first use,suggested charging time is 4-6hours**

Please read this directions carefully before assembling and using. After reading, please keep it carefully for possible future use.

Licenses

 ,  and “Mercedes-Benz” are the intellectual property of Mercedes-Benz Group AG. They are used by Julong Toys (Jiaxing) Co., Ltd under license.

The Design of the enclosed product is the intellectual property of Daimler Truck AG. It is used by Julong Toys (Jiaxing) Co., Ltd under license.

Factory

Julong Toys (Jiaxing) Co., Ltd is located in Pinghu, Zhejiang Province, which is the manufacturing base of China's children's bicycles. It is located in the central area of the Yangtze River Delta. It is near Shanghai in the East and Suzhou in the north. It is near the Hangzhou Bay Bridge and Shanghai-Hangzhou Expressway. The traffic is convenient.

Julong Toys (Jiaxing) Co., Ltd is a children's Goods Factory integrating R&D, engineering, production, quality control and sales. The main products are children's electric cars, children's bicycles and other products.

The company has several professional production lines, with annual production capacity reaching hundreds of thousands of vehicles. The company has a professional R&D engineering team, which has been working for many years, with complete testing equipment, to ensure that the quality of products produced by the company fully meets the requirements of national standards.

Challenge the market with products with independent intellectual property rights, base on the market with excellent quality, strive for perfection, continuous innovation and challenge ourselves. By virtue of the honesty, earnestness and cohesion of the collective staff of the company, we can exert our wisdom and creativity, constantly review and make progress, and create an extraordinary Julong. With love, innovation and quality, we provide safe, assured and intimate quality products for children all over the world.

Instructions:

Before using this product, please read the instructions first. It will inform you of the correct operation and installation steps. Damage this product or hurt your baby by avoiding incorrect methods of operation. This instruction should be kept in the easy place.

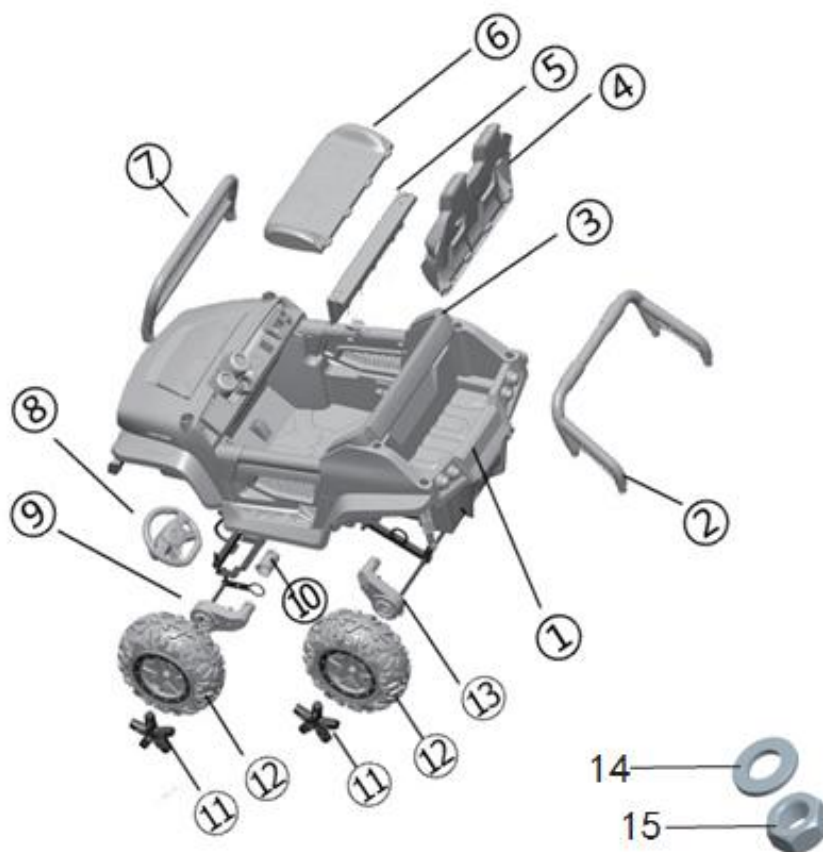
Description:

Age:	37~96months	Battery:	12V7AH (Apolegamy12V10AH/12V14AH)
Max weight:	≤30kg	Size of car:	1300*850*840mm
Speed:	3~5km/h	Power way:	Charging type
Charger:220 V	Output:DC12V 1A	Electric machinery	Turn: 380#6600 Drive: 550#10000

Maintenance:

- After the regular service of the product, adults should regularly (suggest once two weeks) check the main items, including storage battery, charging device, wires, outer skin, circuit changer and switching valve. Clamp devices should be checked to see whether is loose. When there's hidden danger, the product should be stopped being used until restored.
- The vehicle should be cleaned by slightly wet (no water drop) soft cotton. Also can be polished by non-wax furniture in order to make the surface bright and clean. Do not use chemical dissolvent to wipe the plastic part of the toy to avoid being dissolved. The car cannot be cleaned by soap and water since water will damage the motor and storage battery, causing short pass of the electro-circuit system.
- After using for a period of time, please use lubricating oil to lubricate the iron part in order not to get rusty. The car should be kept away from high temperature and moistness, since the plastic parts might melt. When charging, please keep it away from inflammable materials so that fire will not occur.
- When stop or not using for a long time, please cut off the power. All the circuit changers should be switched to "STOP" or "OFF". The structure and wire system cannot be altered without authorization. Maintenance and replacement of crucial parts should be supervised by professionals.
- In areas where power supply is unstable, installing power regulator is highly recommended to protect the storage battery when recharging do not use safety wires not accord with the product.

Exploded view



No.	Name	No.	Name	No.	Name
1	Car body	6	Cushion floor	11	Wheel cover
2	Rear tailstock	7	Windshield rack	12	Wheel
3	Fence	8	Steering wheel	13	Wear resistant bushing
4	Seat	9/13	Gearbox	14	Shim
5	Seat cushion	10	Motor cover	15	M10 Nut

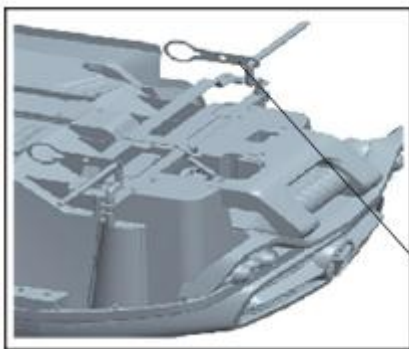
Assembling steps

Vehicle assembly before use must be operated by adults. It takes about 30 minutes to assemble this product. Small parts have choking danger, children are strictly prohibited to touch and play! Installation tools: screwdriver (self-provided), vise (self-provided), inner hexagonal wrench (factory supply). Before installation, please check the quantity of all parts and the plastic bags of the products. Please handle them properly. Children are strictly forbidden to play. It is dangerous to asphyxiate. When installing, we should pay attention to the right side (R) and the left side (L) when we stand at the rear of the car and look forward.

Selection: double drive/four drive

Double-drive: 2 drive motors, 4 drive motors: 4 drive motors

Installing Front wheel iron



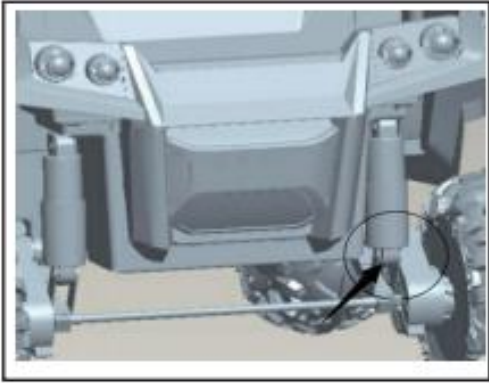
- Installation is done by reversing the body on a flat surface.
- The square pipe of the iron bracket is clamped into the corresponding chute of the main body, and the bottom end of the direction axis is clamped into the bracket hole. Finally, the iron sheet on the square pipe and the main body are fixed and locked by self-attack with 4*12 large flat head.
- Note: There is no iron sheet in double drive.

Installing Front wheel:



- One end of the gear box is sleeved into the front axle and the other end is clamped into the fixing hole of the bracket. Note: (Note that the gearbox is divided around (FL/FR), there is no such step in double drive.
- Then the tires, wear-resistant bushes, gaskets, nuts are sleeved in turn, and then the nuts are locked with a wrench with the front axle. Note: (When installing the tire, one side of the bump is facing inward.)
- Finally, align the clamp on the wheel cover to the slot on the tire, press slightly, and hear the "click" sound to indicate that the installation is in place. The other side is installed in the same way.

Installing Rear shock absorber



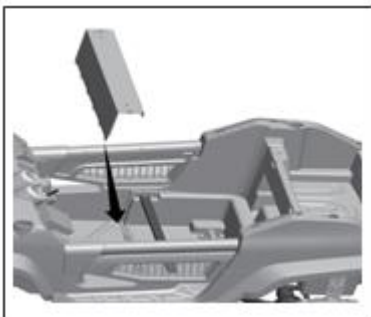
- Remove the screw nut at the lower end of the shock absorber and insert the lower end into the "U" groove on the rear bracket.
- Then the "U" groove is connected with the lower end of the shock absorber with a screw, the nut is locked, and then the reverse locking of the hexagon in 5MM is used.
- Installation on the other side is the same as above.

Installing rear wheel



- First, the rear axle is inserted into the corresponding hole of the rear bracket, then the gasket is inserted into the rear axle, and then one end of the gear box is inserted into the fixed hole of the bracket. Note: (Note that the gearbox is divided into left and right F/R)
- and then the tires, wear-resistant bushes, gaskets and nuts are inserted in turn. Note: (When installing the tire, one side of the bump is facing inward.)
- The other side is installed in the same way. Then use a professional wrench to lock the nuts at both ends of the shaft in the opposite direction. Finally, align the clamp on the wheel cover to the slot on the tire, press slightly,
- and hear the "click" sound to indicate that the installation is in place.

Installing Seat cushion



- The lower end of the fixture is aligned with the corresponding slot on the body and pressed down by force. Then the two ends of the fixture are locked with the body by self-tapping screw.

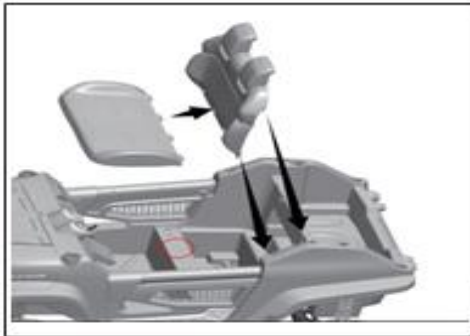
Assembling steps

Installing Fence:



- Aim the fence chuck at the chute of the car body, then press down slightly, and hear the "click" sound to indicate that the installation is in place. Then use self-tapping screw to lock both ends of the fence and the car body.

Installing Seat:



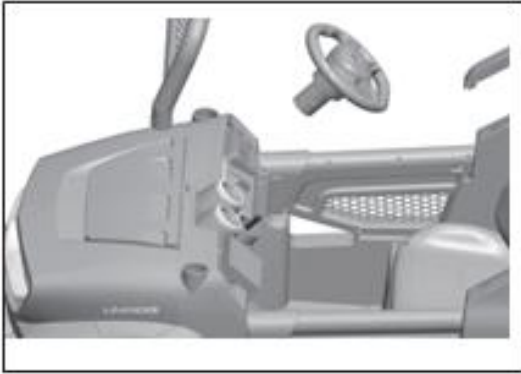
- Firstly, one end of the seat belt is fixed in the middle position of the seat cushion fixture (the position of the ring) with a self-tapping screw. Then the lower end of the backrest jack is pointed at the chute of the car body, and then press down hard,
- and the "click" sound is heard to indicate that the installation is in place. Finally, the base plate clamp foot of the seat cushion can be clipped into the corresponding hole in the backrest, and then the bottom plate and the base plate fixture can be locked with a self-tapping screw.
- Before installing the bottom plate, first connect the drive motor wire terminal with the main line terminal.
- Note: terminals are not divided around.

Installing rear tailstock and support of left and right tailstock:



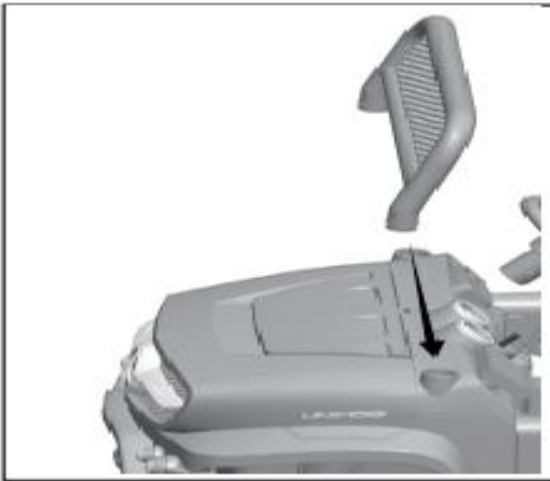
- The upper and lower cover of the rear tailstock can be fixed and locked with four self-tapping screws. Figure 1
- The tailstock is aligned with the corresponding jacks on the body. The two sides press down at the same time, and the "click" sound is heard to indicate that the installation is in place. Figure 2

Installing steering wheel:



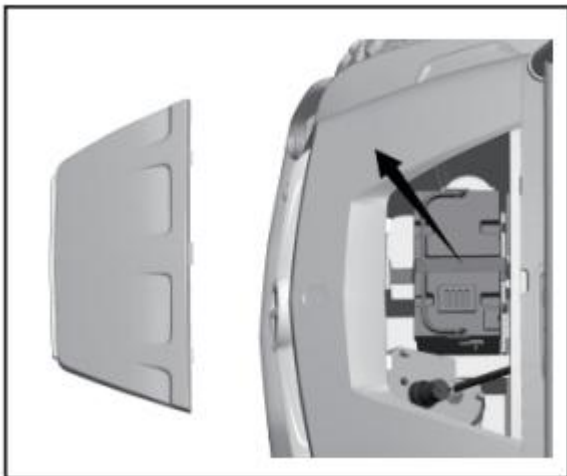
- First, the screw nut on the steering wheel base is removed from the gasket, and then the terminal under the steering wheel is connected with the terminal on the car.
- Then the steering wheel is sleeved into the steering axle (the iron rod protruding in the middle of the instrument table), and the angle is adjusted so that the base screw hole is aligned with the steering axle screw hole.
- Finally, insert the nut into the screw and lock it with a cross screwdriver.

Installing windscreen:



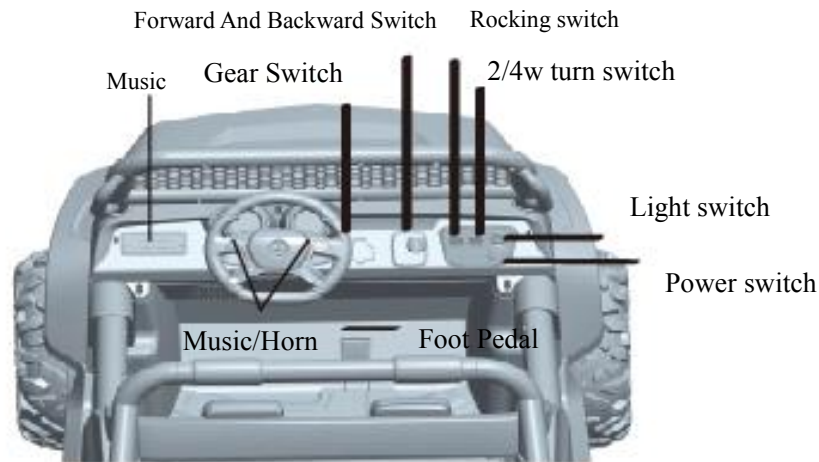
- The windscreen holder into the hood of the slot, push down firmly until you hear a "click rubbing" sound show is already in place

Connect the power:



- Open the hood and insert the terminal on the battery cover with the charging hole terminal

How to use it (please make sure the switch is on)



Warning!

When changing gear, please make sure the vehicle is completely still ,or damage to gear case and motor.

Manual:

Forward(D1/D2):

1. Push "Forward / Backward" switch to "D1";
2. Gently depress the "foot Pedal"switch, the car will move forward at low speed.
3. Push "forward / Backward" switch to "D2";
4. Gently depress the"foot Pedal"switch, the car will move forward at high speed.

Stop (P):

Lift the foot to release the "foot Pedal" switch, the vehicle will stop moving, and the Forward / stop / Backward switch to "P"

Backward:

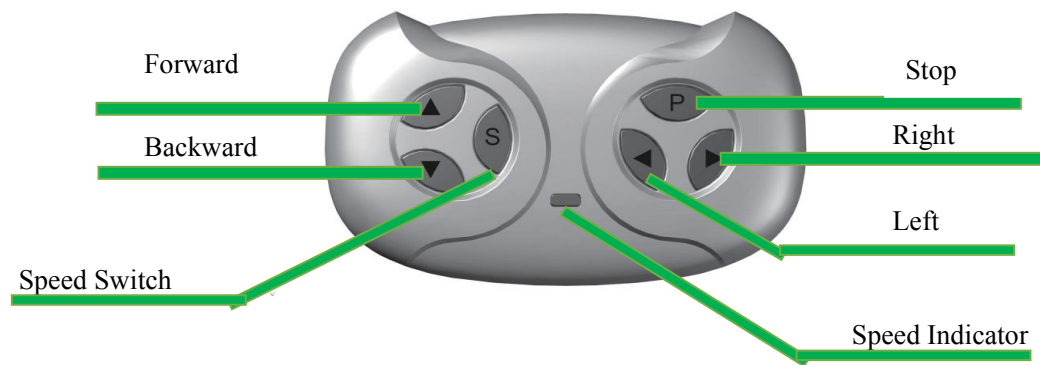
1. Push "forward / Backward" switch to "R" position;
2. Gently press the "foot Pedal" switch, the car will move backwards. Remote control function: (Note: Remote control without remote control / manual switch)

Remote control function: (Note: remote control without remote control / manual use)

Swing function (optional): If swing, switch to swing state to swing up and down.

If you do not swing, no such function

Remote control:



Hold down Forward + backward to start the code

2.4G Wireless stroller controller instructions

1、 the first use (or replacement of the battery) needs the code, the steps are as follows:

Installing two AAA1.5V batteries, push the battery cover on the back of the remote controller to push the battery cover open, install the battery (pay attention to the positive and negative polarity in the battery cavity), and finally close the battery cover.

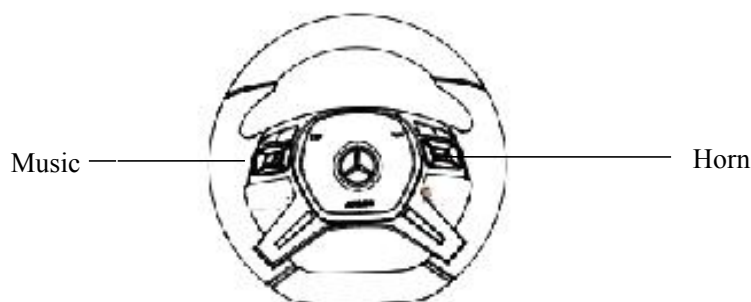
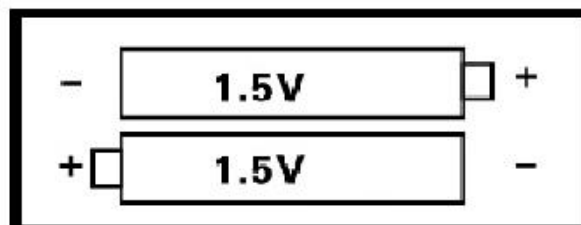
For the first time, the total power supply must be closed.

Instructions for use: Hold down "Forward" key + "Backward" key for 3 seconds, at the start of the code, lights flashing, turn on the power switch, all the lights flashed, code success; speed press "S" button, a light for low speed, two light for middle speed, three lights for high speed, "P" key brake lights flashing. Turn off the car power supply if the frequency is unsuccessful, repeat the steps

2、 when the remote control is not used, the power is automatically cut off after 15 seconds, and the reuse of the power is not needed again.

Battery warning:

1. The distance of the remote control car when baby and child adult ride shall not exceed the range of 15M.
2. The remote control only allows the guardian to use, and can not let the children touch.
3. Before the remote operation to read the instructions carefully, and empty experiment, master, can make children ride and use.
4. When not use the remote control function, please put the remote control / manual switch on the car body to the manual position and avoid other electromagnetic interference.
5. The remote control car may not travel on the road and the water source, the obstacle, etc.
6. Remote control shall not be allowed to rain or other ways to avoid damage caused by immersion line.
7. Old batteries and different brands of batteries not mixed use.
8. For a long time no application for remote control, it is recommended to remove the battery, so as to avoid battery leakage, corrosion circuit board, so that the damage to remote control.
9. In the remote control process should avoid the remote control fell.
10. The battery with the correct polarity, the battery is strictly forbidden to short-circuit.
11. Rechargeable batteries can only charge under the adult guardianship. Non rechargeable battery can not charge.
12. The exhausted battery should take out the battery from the toy, properly handle, prevent the children to play.
13. When long time no toys, we should take out the battery from the toy, properly handle and prevent children to play..
14. Such as remote control range less than 3 meters, remote control battery power shortage, to replace the two No. 5 (1.5V) battery.



Music:

Press the button on the Steering wheel, it will make a sound or play music.

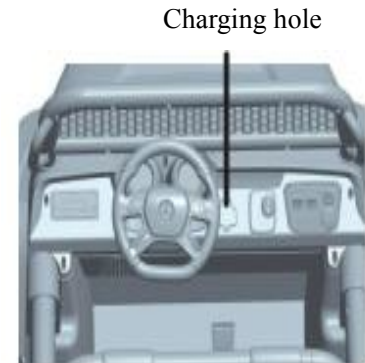
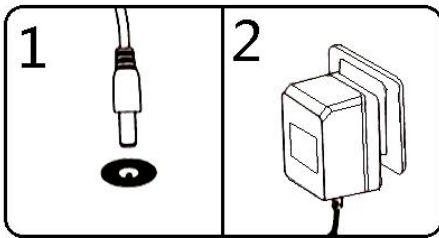
Usage

Using the method of auxiliary wheel, handle and matters needing attention:

1. When the car is insufficient, turn off the power.
2. The front bumper on the pulling out, after the bumper on the auxiliary wheel spins.
3. Then hold the handle, the car will be brought into 45 degrees, drag the car.
4. No children ride in the car using the handle auxiliary wheel.
5. This operation must be adult operation.



Charging:



- Power switch must be turned off when charging
- Charging hole is on the left side of Forward And Backward Switch .
- Plug the charger into a local mains power wall outlet
- Plug in the charging seat on the electricity power

Matters need attention when charging:

- The charging process has to be operated by adults.
- Before the firsts use of the car,make sure the battery has been charged more than 4-6hours.Or the battery would be damaged permanently and cannot be repaired.
- When charging,please turn of the battery.Put the charger plug into the charging hole before plug it on the socket.The car cannot be operated when charging.
- When the battery is low,please charge it in time.Normally the charging hour is 8-12hours,but do not charge it more than 20hours.
- It is normal that the battery jar emits heat,but when the temperature is too high,you should examine whether the recharging process is over-current or short-current.
- When there is water in socket aperture,the battery jar cannot be charged since it will cause short-current.
- Only chargers and battery equipped by this car can be used.Chargers and battery jars of other brand are strictly prohibited .Or the charger and battery might be damaged.
- When the product is packed away or will not be used for a long time,you have to fully charge the battery and charge it once every month to guarantee the life of the battery.
- The charger and the battery are not toy.Children should not be allowed to play with them.

Warning:

- The assembling and charging process could only be operated by adults.
- Before use, please check whether all the part are installed well to position and connected tightly
- When playing this car, the distance between the car and an adult cannot be more than 10 meters
- This car should only be rode under adult' s supervision
- This car cannot be used on dangerous places like streets, roads, slopes and raceways. When there is barrier , please change directions to avoid it.
- Do not use it on smooth surfaces like marbles, floor tiles and glasses .
- Do not use this car on rainy or snowy days.
- Do not switch the forward/backward switch when advancing. Make sure kids are not standing on the seat.
- Do not change the structure, line and additional electrical devices without permission.
- The car is outfit with seat belt, Make sure the Child has fastened it.
- When the car is not used, please switch off the electric power source; When not used for a long time, pluck off the attaching plug.
- Examine the product and charger regularly to see whether the parts are becoming old or dropped off. When damage is found, the product should be stopped using until fixed.

Simple Maintenance :

Fault type	Reason analysis	Exclusion methods
Car's not moving	<ol style="list-style-type: none"> 1. Battery has low voltage 2. Fuse protection 3. The nut of the wheel is dropped off 4. Socked connector of the battery has fallen off 5. Battery is flat 6. Electrical damage 7. Motor is broken 	<ol style="list-style-type: none"> 1. Recharging the battery 2. Stop for several minutes before using again 3. Screw the nut on 4. Link it up again 5. Change a new battery 6. Go to the maintenance area 7. Go to the maintenance area
Battery cannot be recharged	<ol style="list-style-type: none"> 1. Socket connector of the battery has fallen off 2. There's no power 	<ol style="list-style-type: none"> 1. Link it up again 2. Plug it in
Short flight mileage	<ol style="list-style-type: none"> 1. Battery off 2. Battery is old 	<ol style="list-style-type: none"> 1. Recharging the battery 2. Change a new battery
There's slight sound and heat when recharging	<ol style="list-style-type: none"> 1. This belongs to normal chemical reaction 	<ol style="list-style-type: none"> 1. It's normal
Low speed	<ol style="list-style-type: none"> 1. Battery is old 2. Dead battery 3. Overload 4. Pavement irregularity 	<ol style="list-style-type: none"> 1. Change a new battery 2. Recharging the battery 3. Reduce weight bearing to below 30kg 4. Ride on smooth-riding surface
Gearbox has noise	<ol style="list-style-type: none"> 1. Gear is broken 	<ol style="list-style-type: none"> 1. Repair it in maintenance point
Car is shaking when progressing	<ol style="list-style-type: none"> 1. Connector cable for lens motor contact poorly 2. There's dead spot on the motor 	<ol style="list-style-type: none"> 1. Reconnect it 2. Repair it in maintenance point
Battery indicating light is not working	<ol style="list-style-type: none"> 1. Body power is not on 2. Battery is dead 	<ol style="list-style-type: none"> 1. Turn it on 2. Recharging the battery
Car cannot be stopped	<ol style="list-style-type: none"> 1. Electrical damage 	<ol style="list-style-type: none"> 1. Repair it in maintenance point

