

PLEASE MUST TRANSLATE THEIR  
OWN LANGUAGE OF MANUAL  
INSTRUCTIONS BELOW FOR  
YOUR MARKET

PLEASE READ THE INSTRUCTION  
CAREFULLY BEFORE USE



- Suitable age:37-96 months
- Maximum load:66LBS
- Product should only be assembled by an adult.
- Battery should only be charged by an adult.
- The manual contain important information. Please take good care.

# Safety warnings!

- To reduce the risk of injury, adult supervision is required. Never use in roadways, near motor vehicles, on or near steep inclines or steps, swimming pools or other bodies of water. Always wear shoes and a helmet.

- Never allow more than 1 rider.

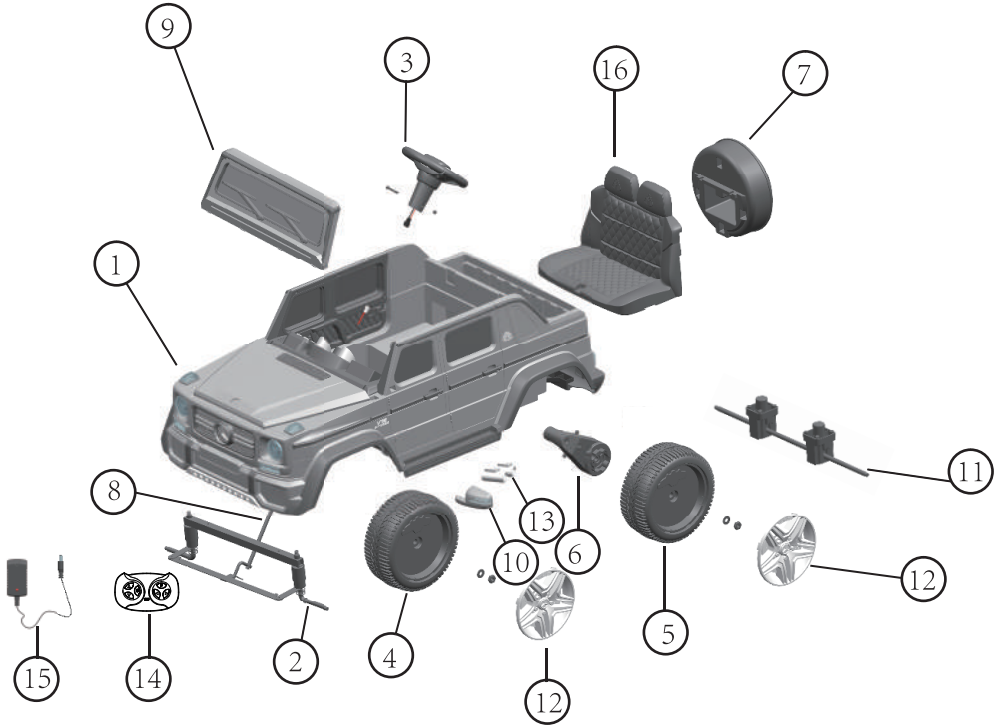
## **TO PREVENT FIRE AND ELECTRIC SHOCK:**

- Only use battery and charger provided and specified by manufacturer. Use of the wrong type of battery for charger could cause a fire or explosion.
- DO NOT use the battery or charger for any other product. Overheating, fire or explosion could occur.
- NEVER modify the electric circuit system. Alterations could cause a shock, fire or explosion.
- DO NOT open the battery. Battery contains lead acid and other materials that are toxic and corrosive.
- DO NOT open the charger. Exposed wiring and circuitry inside case may cause electric shock.
- ONLY ADULTS may handle or charge the battery. NEVER allow child to handle or charge the battery. Battery is heavy and contains lead acid (electrolyte).
- DO NOT drop the battery. Permanent damage to the battery could occur or cause serious injury.
- Before charging the battery, check for wear or damage to the battery, charger and the connectors. DO NOT charge the battery if any damage to parts has occurred. Replace with manufacturer's parts ONLY.
- DO NOT allow the battery to drain completely; recharge the battery after each use or once a month if not used regularly.
- DO NOT charge battery upside down.
- Always secure the battery with the bracket. Battery can fall out and injure a child if the vehicle tips over. Risk of fire. Do not bypass.
- Only use battery and charger provided and specified by manufacturer. Use of the wrong type of battery for charger could cause a fire or explosion.
- DO NOT allow any type of liquid on the battery or its components.
- Explosive gases are created during charging. DO NOT charge near heat or flammable materials. Charge in a well ventilated area ONLY.
- Charge the battery in a dry area ONLY.
- If a battery leak develops, avoid contact with the leaking acid and place the damaged battery in a plastic bag. See information in "Disposal of Battery" for proper disposal.
- If acid comes in contact with skin or eyes, flush with cool water for at least 15 minutes and call a physician.
- If acid is internally ingested, give water, milk of magnesia or egg- white immediately. Never give emetics or induce vomiting. Call a physician.

# component list

NO.	Name of sapre parts	QTY.	remark
1	pre assembled car body	1	
2	steering frame	1	
3	steering wheel	1	
4	front wheel	2	
5	rear wheel	2	
6	gearbox	2	
7	spare tire	1	
8	steering axle	1	
9	windshield	1	
10	rearview mirror	2	
11	rear axle	1	
12	wheel cover	4	
13	exhaust pipe	2	
14	parental remote	1	
15	battery charger	1	
16	seat	1	
A	M10 locknut	6	4 on wheels, 2 on steering frame
B	cotter pin	1	on steering axle
C	5mm × 45mm bolt	1	on steering wheel
D	12MM washers	8	4 on steering frame 2 on rear axle 2 spare
E	wrench	2	
F	4mm × 12mm tapping flat head screw	4	exhaust pipe
G	M5 locknut	1	steering wheel
H	10mm washers	1	steering axle
I	seat's latch	1	seat
J	4mm*16mm tapping flat head screw	8	rear axle
k	4mm*14mm tapping flat head screw	2	spare tire

# III. ASSEMBLY



Assembly of your new car is simple, provided you carefully follow the detailed diagram and refer to component part numbers to ensure they are fitted in the correct order as shown above.

## IMPORTANT!

**Before first time use, charge the battery for at least 8-12 hours. Never charge the battery longer than 15 hours.**



WARNING:

The toy is to be assembled by an adult. (or similar meaning)  
(optional) Potential hazard description, e.g. In unassembled state contain potentially hazardous sharp points, sharp edges and small part, so please keep out of baby's reach.

**Please remove the foam that protected the battery when used!**

## Installation steps:

4mm × 12mm tapping flat head screw × 4

Figure1

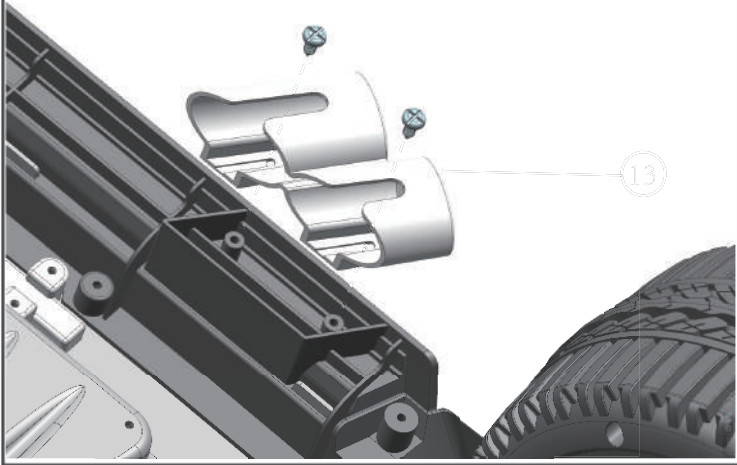


Figure2

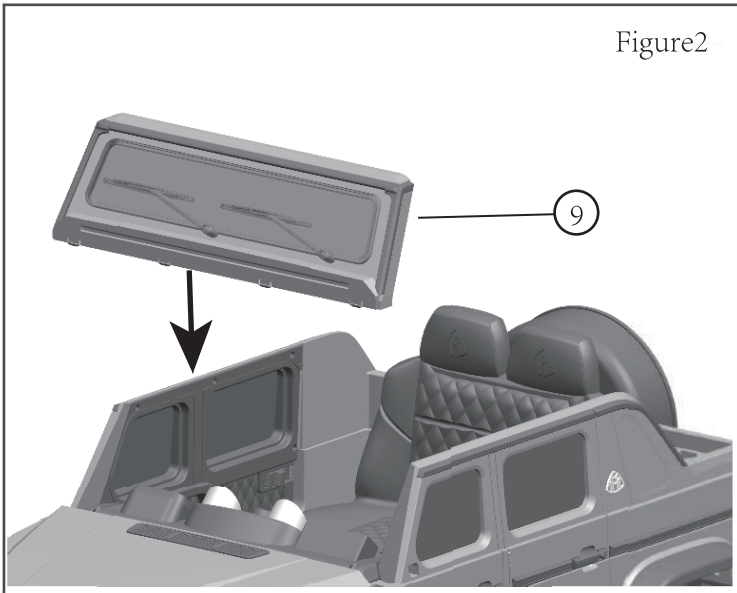


Figure3

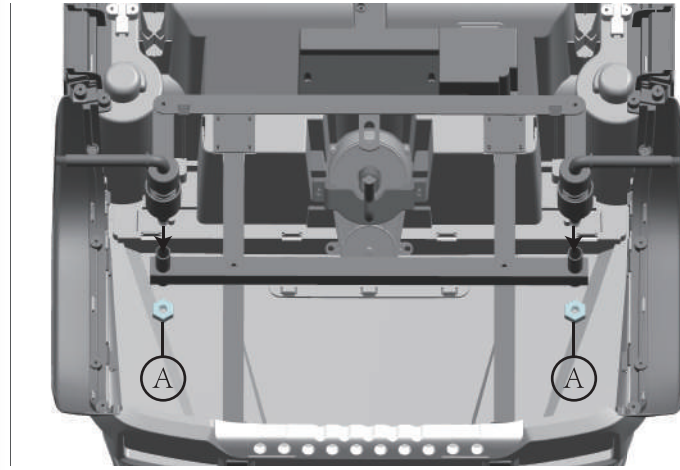
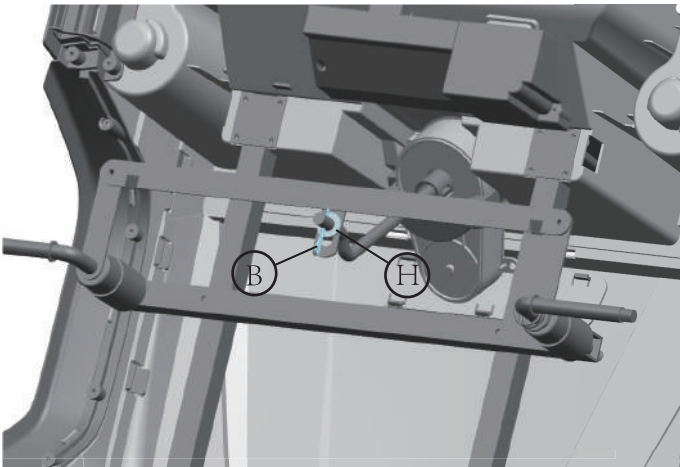


Figure4



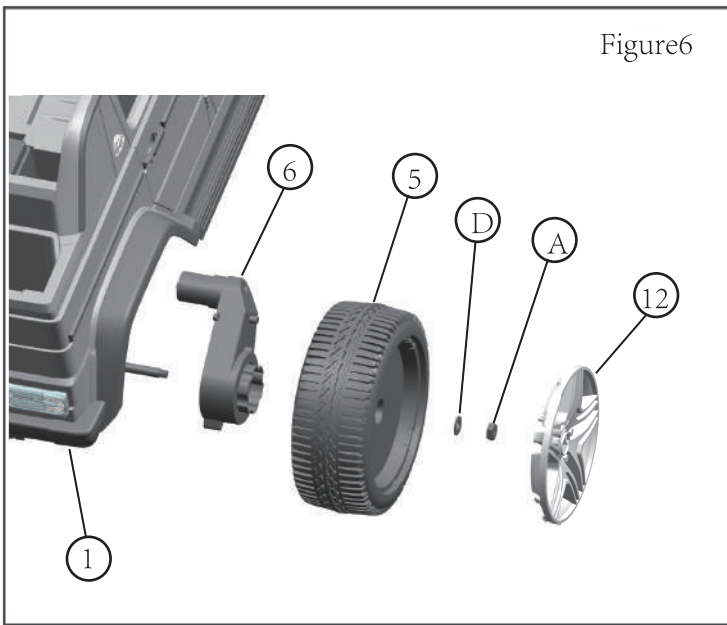
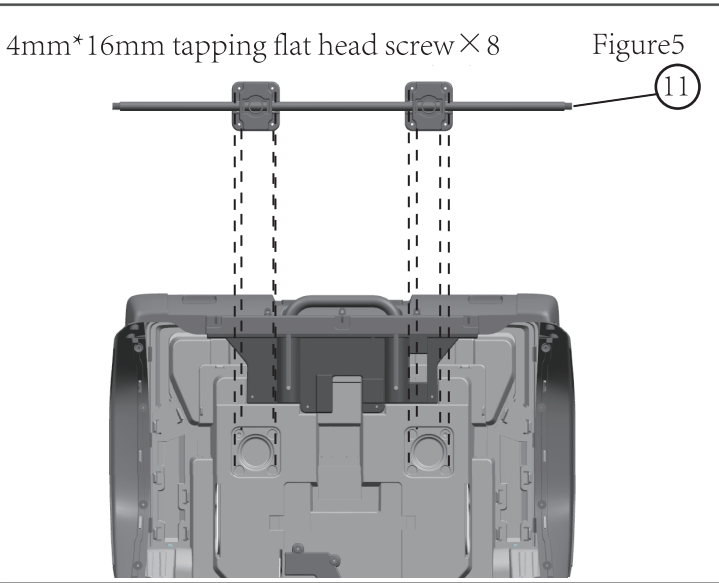


Figure7

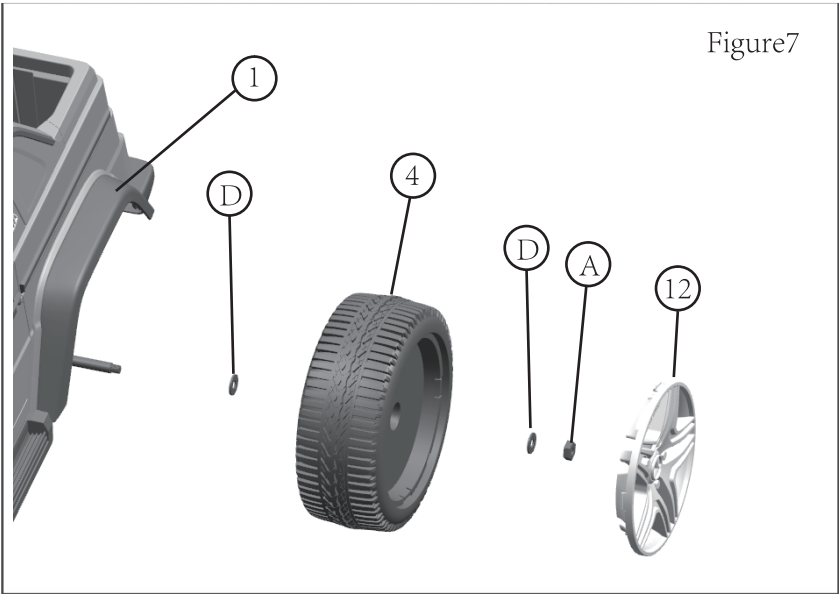


Figure8

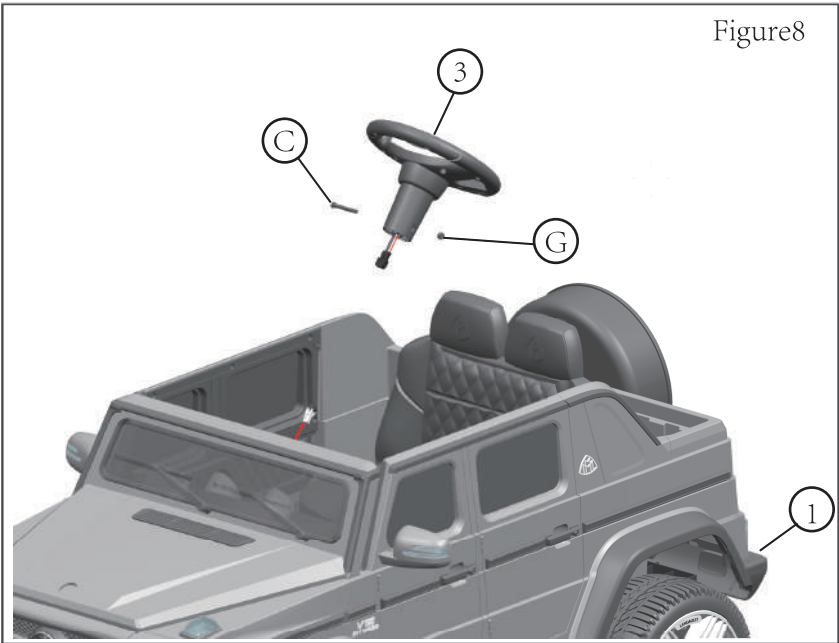


Figure9

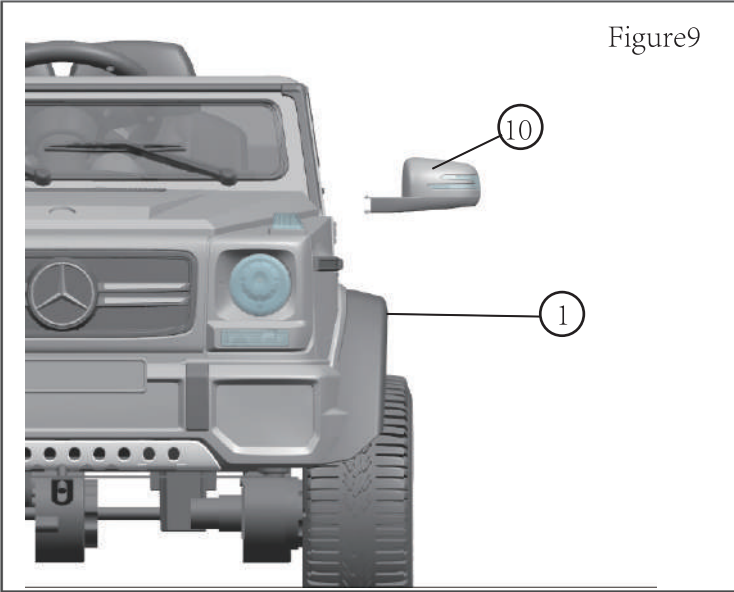
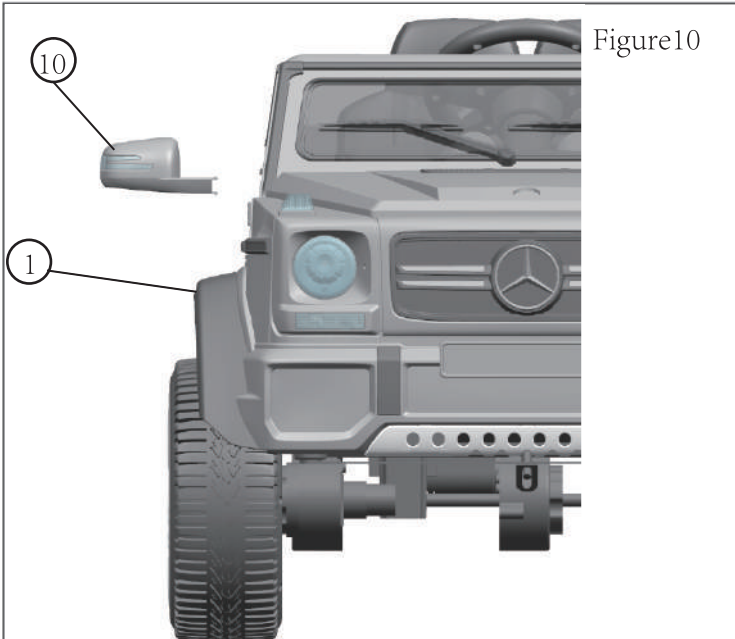
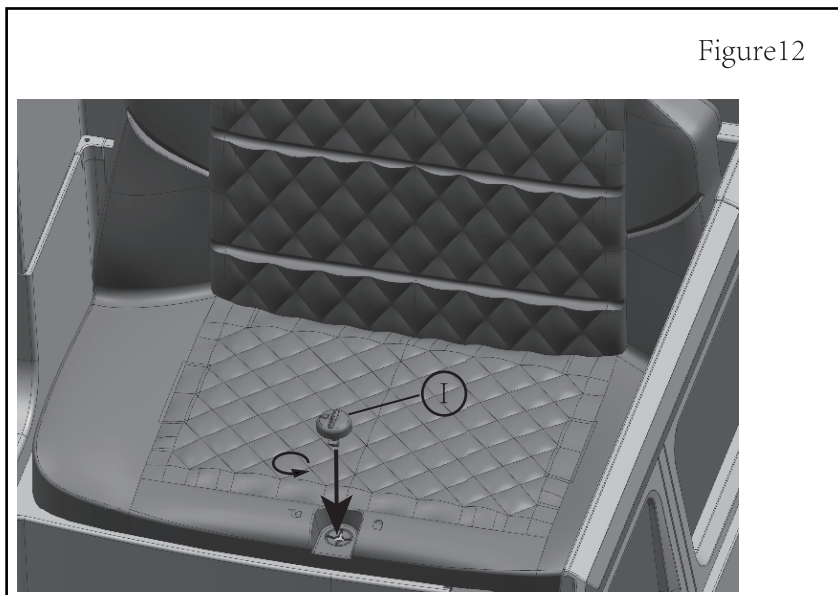
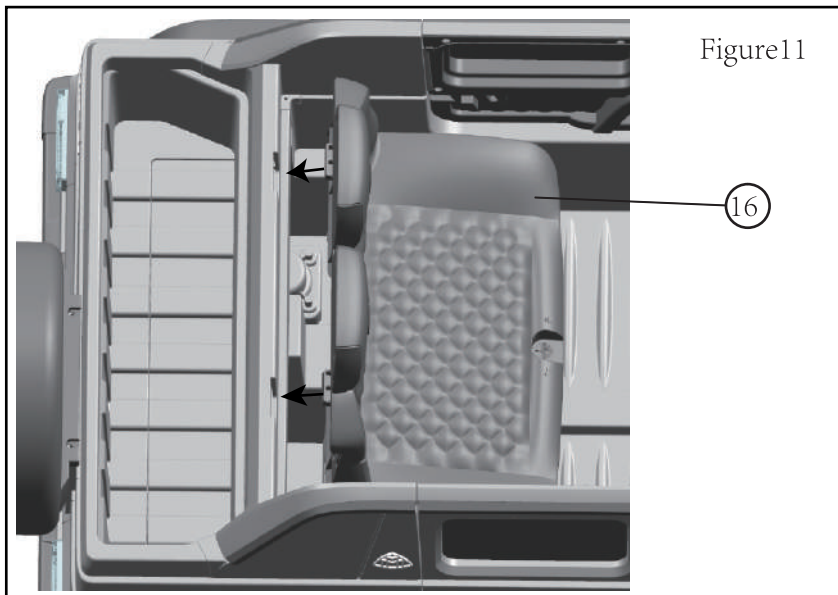
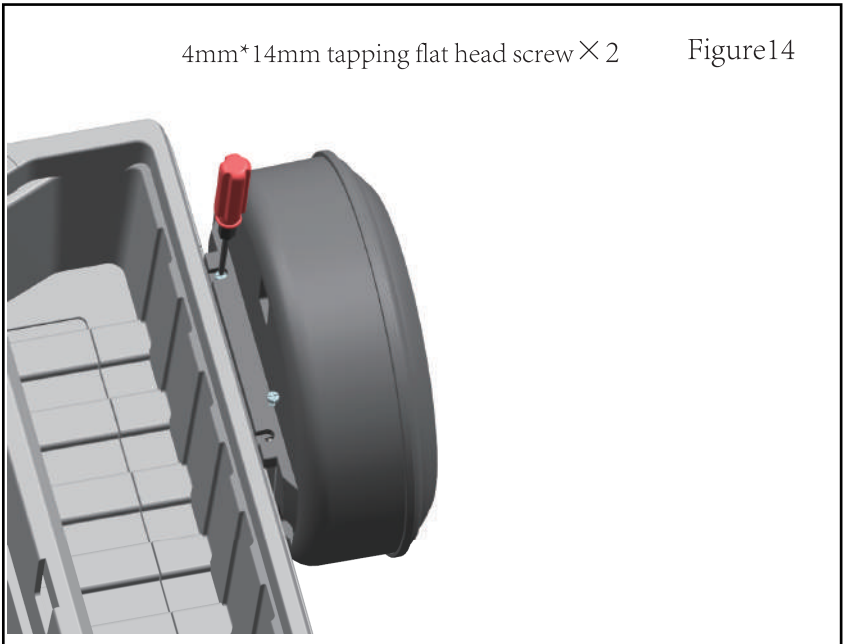
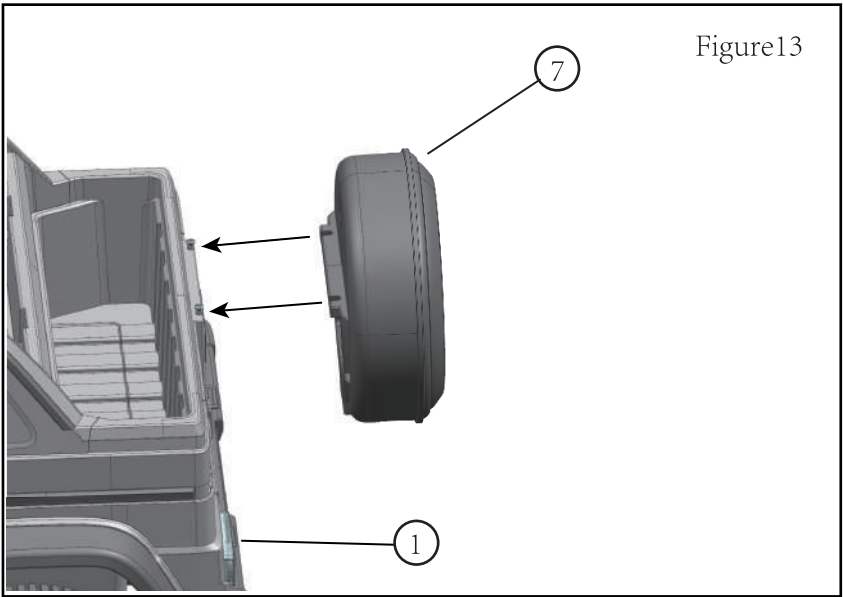


Figure10



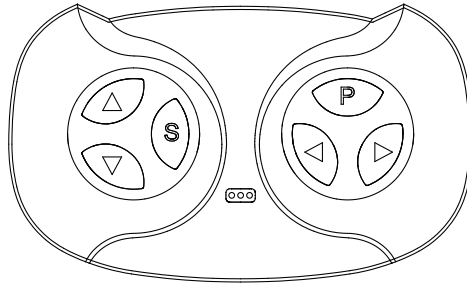




# Instructions

DONGGUAN HONGYUANWEI TECHNOLOGY Co.,LTD

## 2.4G Remote Control Manual



### 2.4G Remote Control Instructions

Step 1: The Remote Controller is loaded with two AAA batteries. the remote controller don't contain the battery.

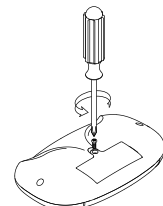
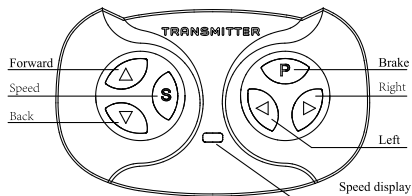
Step 2: Turn off the power switch on the vehicle.

Step 3: Hold down "▲" & "▼" keys for 3 seconds start match code, The first LED flicker. Now turn on the vehicle power switch

The red indicator lights stop flashing, and the code is successful.

Keys caption : "S" set up speed, 1 led lit up is low speed , 2 leds lit up is medium speed , 3 leds lit up is high speed,

"▲" Forward, "▼" Back, "◀" Left, "▶" Right, Press "P" key hold the brake, All LED flicker



Loosen a screw



Load two AAA(1.5V) batteries

WARNING! Not for children under 3 years. Small parts. Choking hazard

- Load two AAA ( 1.5V ) batteries according to the diagram.
- Non-rechargeable batteries are not to be recharged.
- Different types of batteries or new and used batteries are not to be mixed.
- Batteries are to be inserted with the correct polarity.
- Exhausted batteries are to be removed from the toy.
- The supply terminals are not to be short-circuited.
- The packaging must be retained since it contains important information.

## Battery safety information

### Disposal of Battery

#### Disposal of Battery

- Your sealed lead-acid battery must be recycled or disposed of in an environmentally friendly way, in compliance with local laws and regulations
- Do not dispose of your lead-acid battery in a fire. The battery may explode or leak.
- Do not dispose of a lead-acid battery in your regular, household trash. The incineration, land filling or mixing of sealed lead-acid batteries with household trash is prohibited by law.
- Return an exhausted battery to your local approved lead-acid battery recycler, such as a local seller of automotive batteries.
- Contact your local waste management officials for other information regarding disposal of lead-acid batteries.

### Charging tips

1. Charging of battery should always be performed by an adult.
2. Never completely discharge battery as this will decrease battery life.
3. It is quite normal for battery and charger to become very warm during charging cycle. Never charge battery while still warm after use.
4. To ensure proper life span of your battery while car is in storage, it is strongly advised to charge battery fully every 90 days (30 days during cold weather temperatures).

### Trouble Shooting Guide

#### **Car will not run of all.**

Check all electrical connections and ensure there is no damage.

#### **Car is running slower than normal.**

Stop using the toy and recharge battery.

# Specifications

The battery	12V4.5AH*1
The motor	Two driver motor (12V30W*2RPM10000) Steering motor (12V20W*1RPM6000)
The charger	15V1000MA
Maximum load	66LBS
The car speed	2KM/H-4.5KM/H

## Maintenance:

- Parents should check whether the main parts are in good condition before use. check if the battery, wire, plug, shell and other parts are damaged, whether the nut is loose, whether there is potential safety hazard and stop using until it is repaired.
- After a period of use, lubricate the iron parts of the vehicle with a small amount of lubricating oil to prevent wear and rust.
- The vehicle shall be placed far away from the fire source and avoid long-term light. The storage shall be placed flat towards the front, and shall not be reversed or tilted. In humid weather, such as near the fire stove and heater, the plastic part may melt. When charging, keep away from inflammable objects to prevent fire.
- Please charge the battery in time after use. The charging must be operated by adults. If the battery is stored or not used for a long time, it must be fully charged first and then charged at least once a month to extend the battery life.
- Wipe the vehicle with dry soft cloth, or wipe the plastic parts with non wax furniture polish instead of soft cloth, so as to achieve the surface finish effect. Do not use chemical solvent to wipe the plastic part of the toy. Do not wash the vehicle with soap and water. Do not drive the vehicle in rainy or snowy weather. Water can damage motors, vehicle electrical systems and batteries.
- When you stop using or placing a new product, please cut off the power supply of the product and pull all switches to the "stop" or "off" position.
- Do not use fuses that do not conform to the specifications of this product.
- Do not change the structure and circuit system of the product without permission, and the maintenance work must be conducted under the guidance of professional or technical personnel

