

Mercedes-Benz

Licensed Battery-Powered Ride-on

Styles and colo(u)r(s) may vary



WARNING

Must be assembled by an adult.

- Suitable for 3+ Years
- Maximum user weight: 30kg



OWNERS MANUAL

with Assembly Instructions

Read and understand this entire manual before using!

Please keep this manual for future reference as it contains important information.

Before first time use, charge the battery for at least 4-6 hours, but no more than 10 hours.

“Mercedes-Benz”,  ,  and the design of the enclosed product are subject to intellectual property protection owned by Daimler AG. They are used by Pinghu City Xiao Ming Xing Children's Products CO.,LTD

Specification

Suitable age:	3+ Years
Battery:	6V 7AH x1 or 12V 7AH x1
Charge time:	8~12 hours
Charge:	Input: depend on local voltage output: 1WD DC6V700MA-1000MA 2WD DC12V700MA-1000MA
Load capacity:	Under 30 kg
Size of car:	120*71.6*49.5 cm
Speed:	3-5 km/h
Motor:	550-12000



BATTERY INFORMATION

- Non-rechargeable batteries are not to be recharged.
- If removable rechargeable batteries are used, they are only to be charged under adult supervision.
- Remove rechargeable batteries from the product before charging.
- Do not mix old and new batteries. Do not mix different types of batteries: alkaline, standard (carbon-zinc) or rechargeable (nickel-cadmium).
- Insert batteries as indicated inside the battery compartment, anode to anode, cathode to cathode.
- Remove batteries during long periods of non-use. Always remove exhausted batteries from the product. Battery leakage and corrosion can damage this product. Dispose of batteries safely.
- Never short circuit the battery terminals.
- Only use the battery specified by the manufacturer
- Only use the charger specified by the manufacturer.

Parts List

B

NO.	PART NAME	Q'TY (PCS)		REMARK
		1WD	2WD	
1	Vehicle body	1	1	
2	Driving wheel	1	2	one marked "R", the other one marked "L"
3	Normal wheel	3	2	
4	Φ10 washer	7	6	
5	Lock nut	4	4	
6	Wheel cover	4	4	
7	View mirror	2	2	
8	Windshield	1	1	
9	Seat	1	1	
10	4x12 screw	2	2	
11	Steering wheel	1	1	
12	M5X45 machine screw	1	1	
13	Φ5 nut	1	1	
14	Charger	1	1	
15	Remote controller	1	1	
16	Spanner	2	2	

- Assembly tools required:



Screwdriver (not included)

NOTE: Some parts shown are assembled on both sides of vehicle



**PREVENT INJURIES AND DEATHS:**

- **NEVER LEAVE CHILD UNATTENDED. ADULT DIRECT SUPERVISION IS REQUIRED.** Always keep child in view when child is in vehicle.
- This toy should be used with caution since skill is required to avoid falls or collisions causing injury to the user or third parties.
- Protective equipment should be worn.
- Never use in roadways, near cars, on or near steep inclines or steps, swimming pools or other bodies of water.
- Always wear shoes, always sit on the seat.
- Not to be used in traffic.
- This toy is unsuitable for children under 36 months due to its maximum speed; Maximum user weight is 30 kg.
- This toy has no brake.

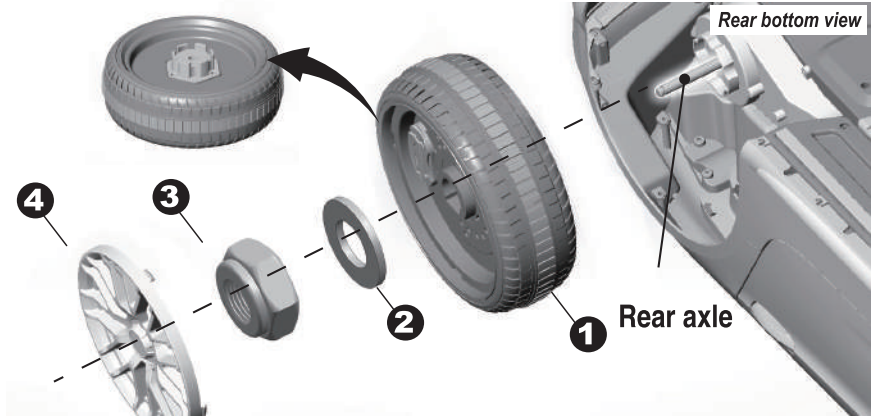
**WARNING:**

- **CHOKING HAZARD!** Not suitable for children under 36 months.
- **ADULT ASSEMBLY REQUIRED.**

Rules for Safe Riding

- Keep Children within Safe Riding Areas:
 - Never use in roadway, near motor vehicles, on lawn space, on or near steep inclines or steps, swimming pools or other bodies of water;
- Use the toy only on flat surfaces. Such as inside your house, garden or playground.
- Never use in the dark. A child could encounter unexpected obstacles and have an accident. Operate the vehicle only in the daytime or a well-lit area.
- It is prohibited to change the circuit or add other electric parts
- Inspect wires and connections of the vehicle periodically.
- Do not let any child touch the wheels or be near them when the car is moving .
- This vehicle has adjustable play seat belts. Please instruct children how to tie the safety belt before using, guarantee the security.

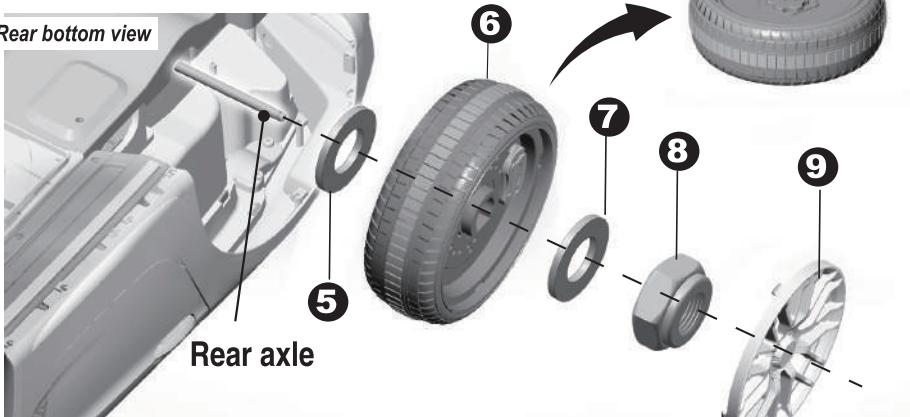
HINT: If your vehicle is Two Wheels Driving Type, see the next page please.



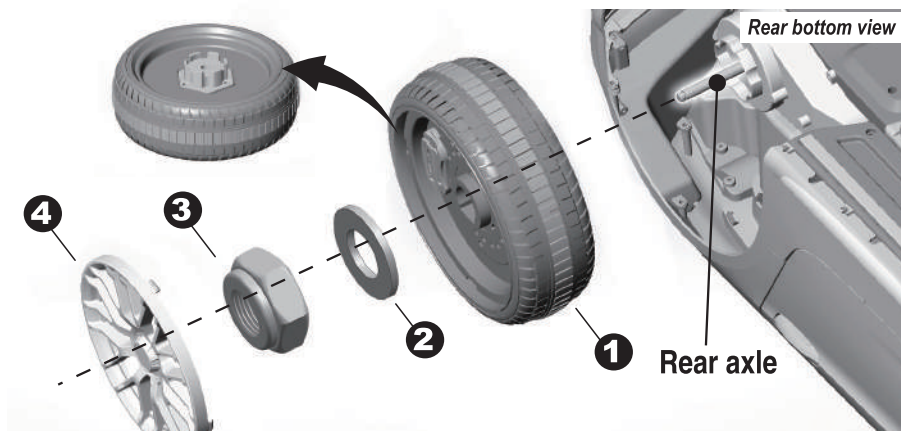
Turn over the vehicle body.

1. Slide the driving wheel onto the rear axle from Left Side. And keep the driving wheel match with the gear box.
2. Slide the $\text{\O}10$ washer onto the rear axle.
3. Tighten a lock nut to the end of the rear axle with a spanner.
4. Fit the wheel cover to the wheel.

Rear bottom view

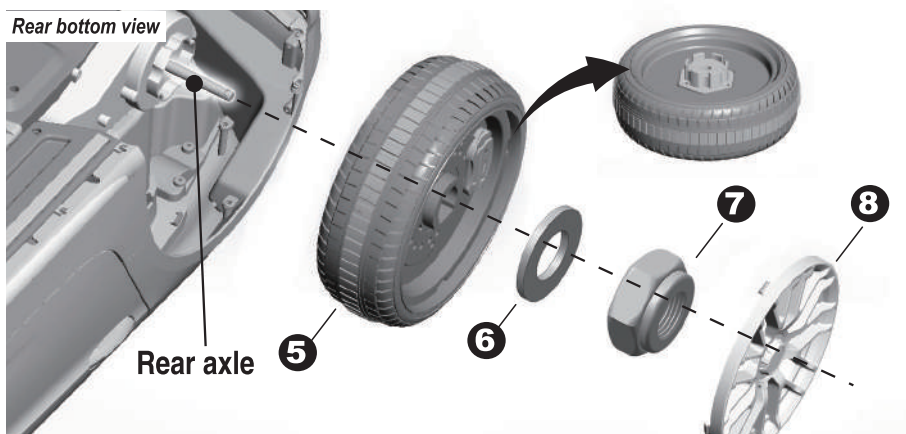


5. Slide a $\text{\O}10$ washer onto the rear axle from other side.
6. Slide a normal wheel onto the rear axle.
7. Slide the other $\text{\O}10$ washer onto the rear axle.
8. Tighten a lock nut to the end of the rear axle with spanner.
9. Fit the wheel cover to the wheel.



Turn over the vehicle body.

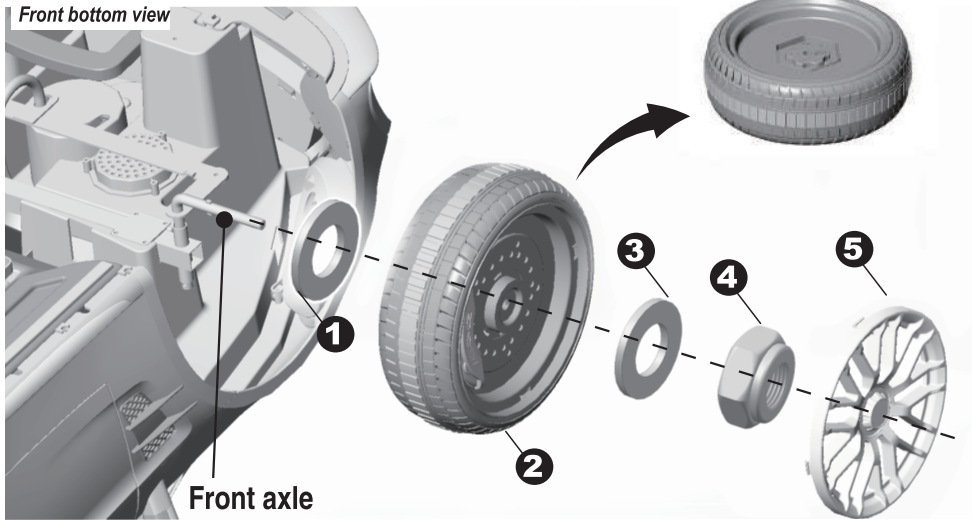
1. Slide the driving wheel onto the rear axle from Left Side. And keep the driving wheel match with the gear box.
2. Slide the $\text{\O}10$ washer onto the rear axle.
3. Tighten a lock nut to the end of the rear axle with a spanner. Repeat for the other driving wheel.
4. Fit the wheel cover to the wheel.



5-8. Repeat the above procedure to assemble the other driving wheel.

E

Attach the Front Wheels



1. Slide the $\varnothing 10$ washer onto the front axle.

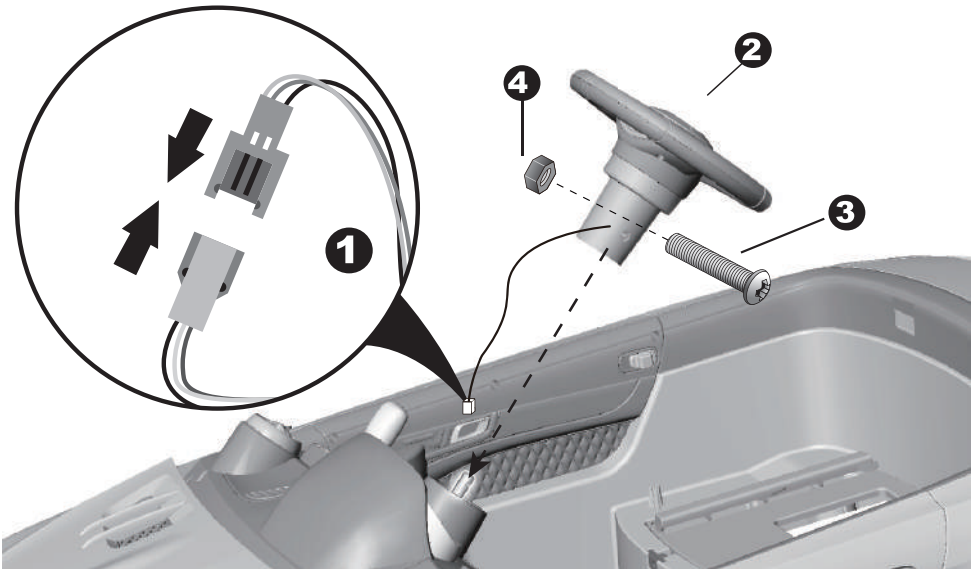
NOTE: If your vehicle wheels with light function, please ignore setp 1.

2. Slide the Front wheel onto the front axle.

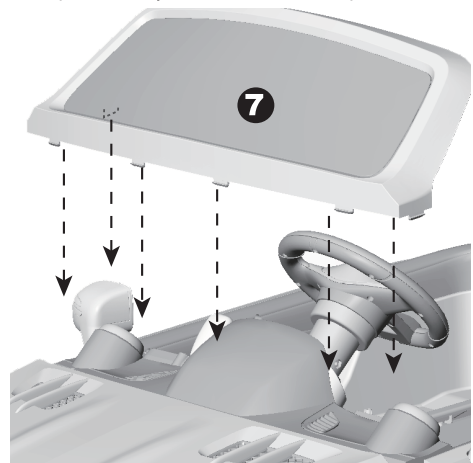
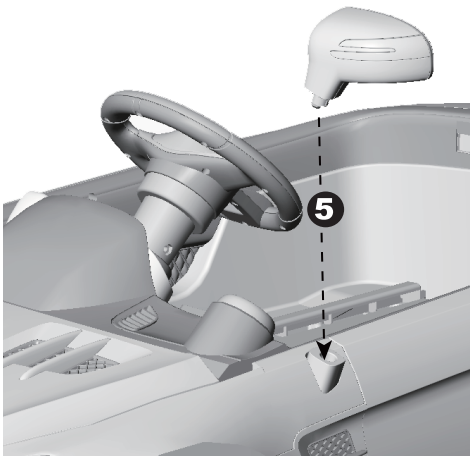
3. Slide the $\varnothing 10$ washer onto the front axle.

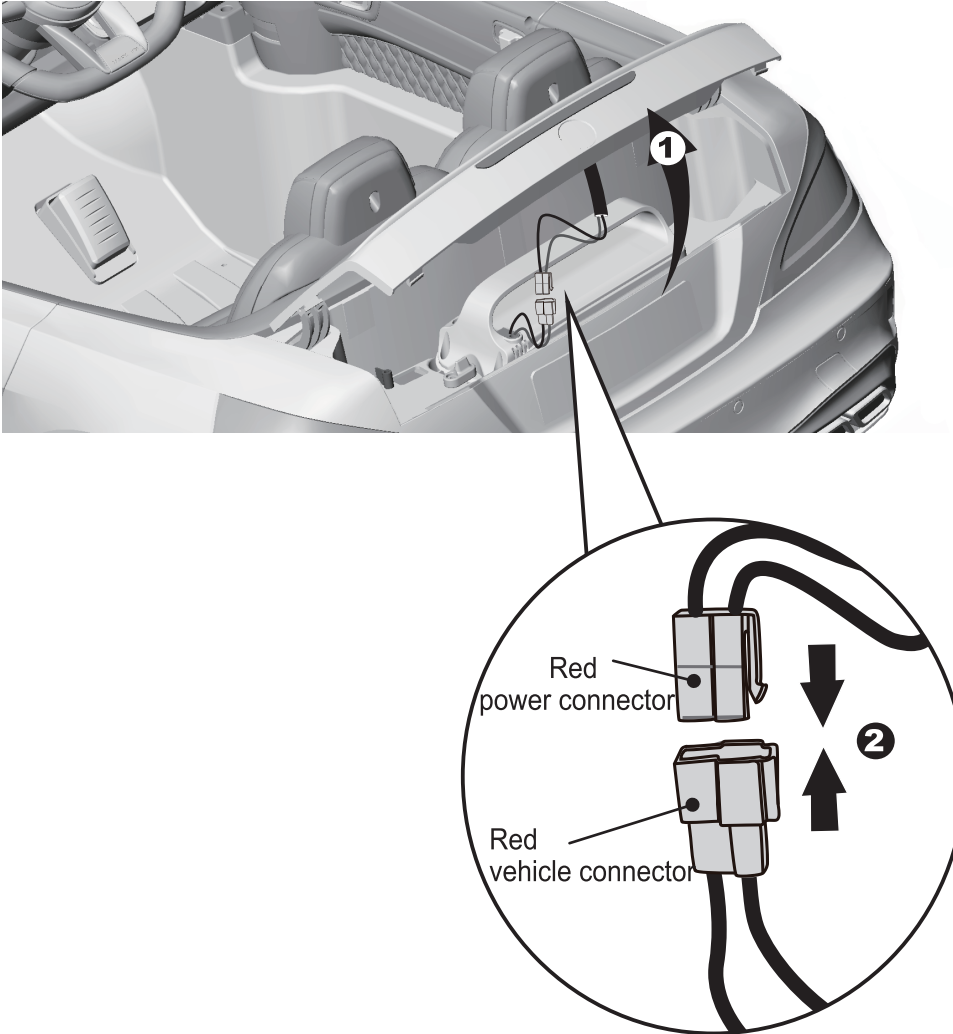
4. Tighten a lock nut to the end of the front axle with a spanner.

5. Fit the wheel cover to the wheel.Repeat for ther other rear wheel.



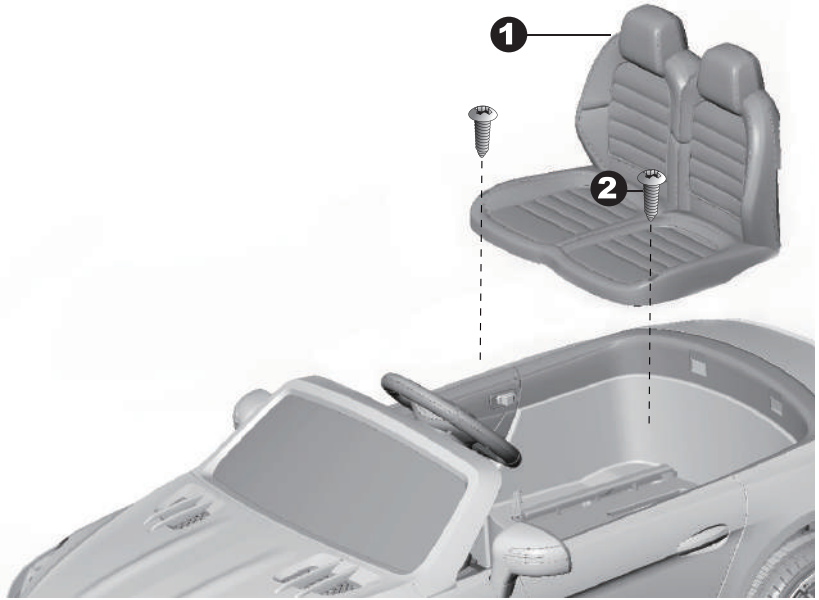
1. Plug the sound unit connector in the steering wheel into the connector in the vehicle body.
2. Fit the steering wheel to the end of the steering column.
3. Line up the holes in the steering wheel with the hole in the steering column, insert the M5x45 machine screw.
4. Fasten a nut on the opposite end of the screw with a screwdriver.
5. Fit the tabs on the mirror into the slots on the side vehicle. Repeat for the other mirror.
6. Fit the tabs on the windshield into the holes on the vehicle body, and push until you hear it click into place.



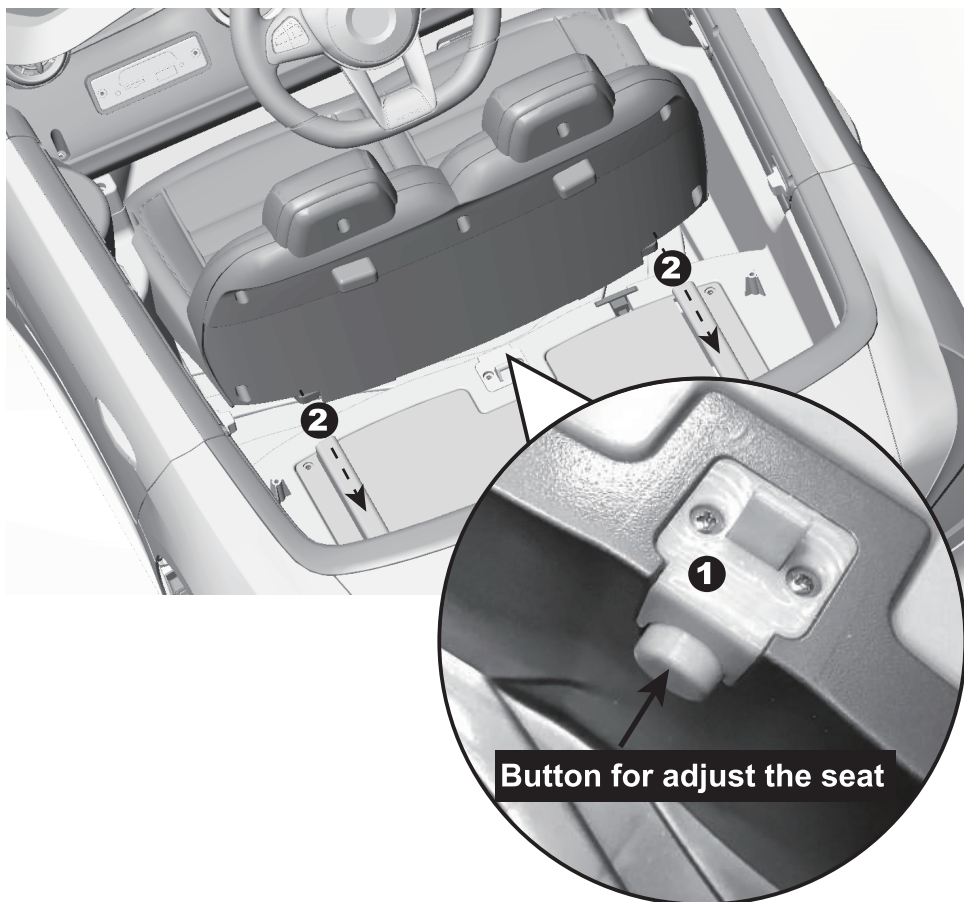
E**Connect the Power Supply**

1. Open the rear trunk lid.
2. Plug the Red power connector on the battery into the blue connector on the vehicle.

HINT: If you want to use the Adjustable Seat, see the next page please!



1. Fit the seat to the vehicle body.
2. Tighten two $\text{Ø}4 \times 12$ flat head screws to secure the seat to the vehicle.

E**Attach the Adjustable Seat**

1,2. Aligned the slide strip under the seat with the slide way on the top of seat base, and press the button located the front of seat base and push the seat to the innermost position.

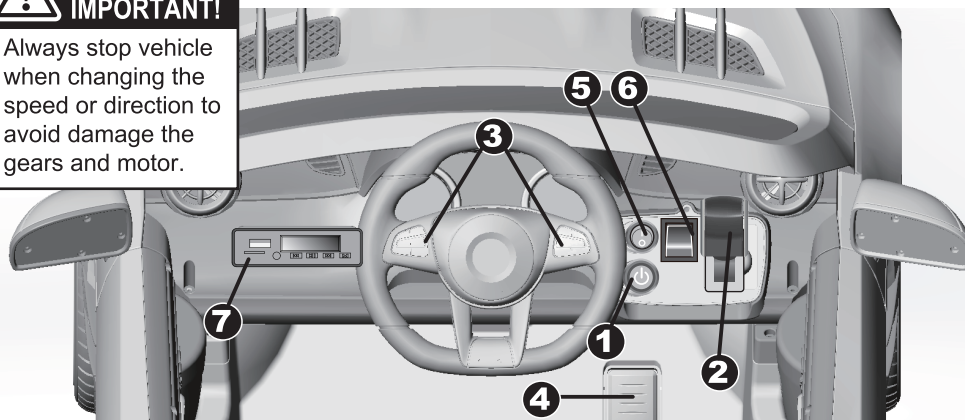
NOTE: The seat is adjustable and has three positions. You can move the seat back as your child grows.



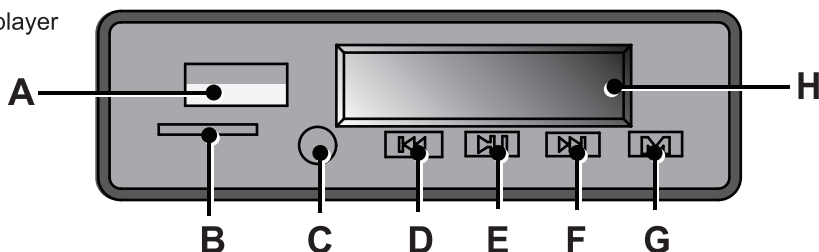
WARNING: When you adjust the seat, ensure the seat “snaps” into place, or may cause accidents.

IMPORTANT!

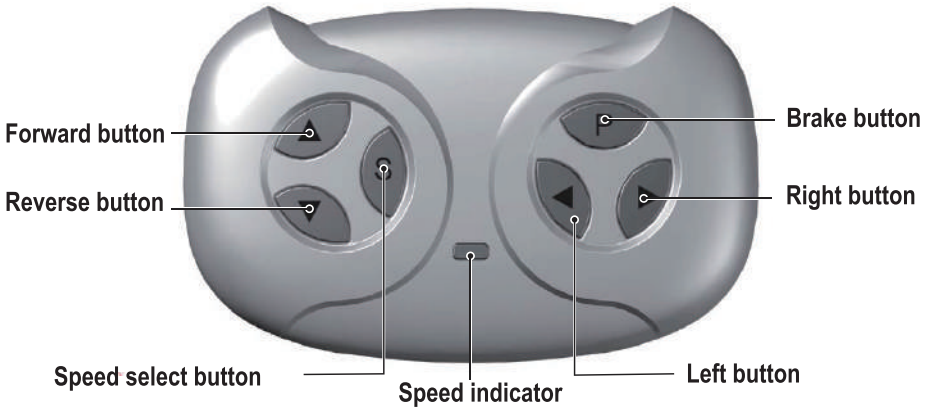
Always stop vehicle when changing the speed or direction to avoid damage the gears and motor.



- 1. Power Switch:** Turns the vehicle on and off.
- 2. Forward/Reverse switch:** Changes the direction that vehicle moves from forward to reverse.
- 3. Sounds buttons:** Press for sounds playing.
- 4. Foot pedal:**
 - To move the car, press the pedal down.
 - To brake or slow down, release pressure from the pedal.
- 5. Lights switch:** Turns the lights on and off.
- 6. Rocking switch (if equipped):** Turn rocking mode on and off. Vehicle cannot move in this mode.
- 7. Mp3 player**



- A. USB slot:** Only support Mp3 format.
- B. TF card slot:** Only support Mp3 format.
- C. Auxiliary input:** Allow the audio from your portable music player or phone to be played through the vehicle speakers.
- D. Previous / Increase volume:** Long press for increasing the volume.
- E. Play / Pause:** Playing and pausing the music.
- F. Next / decrease volume:** Long press for decreasing the volume.
- G. Change the audio input:** This button worked while you inserted two audio input devices.
- H. Display screen:** It displays the power level of the battery when the vehicle is stop.
 - 1WD** : When the numerical value less than 5, recharge the battery please.
 - 2WD** : When the numerical value less than 10, recharge the battery please.



Attach the batteries of controller

Lift the battery compartment door on the back of the controller and insert two AAA(LR03) batteries.

HINT: Batteries not included. Refer to the Battery Information on the page 1.

1. Build connection

Long press the forward and reverse buttons for 3 seconds, and the speed indicator flashes. Then power on the vehicle, the speed indicator goes to long bright, means the connection successful. If the speed indicator no response, means the connection failed. Replace the batteries and retry.

2. Brake button

Press the button to stop the vehicle, press it again to release the brake.

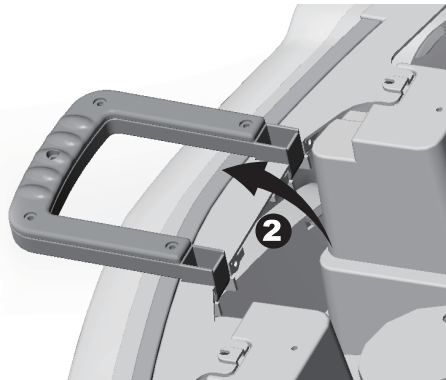
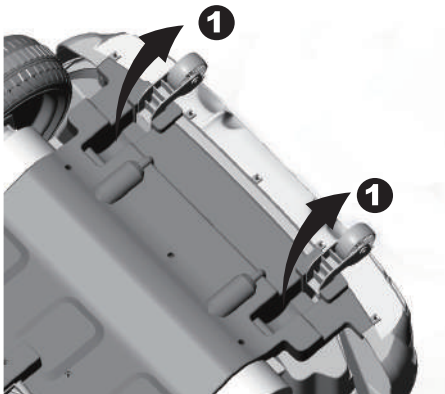
3. Speed select button

The switch operates the vehicle to move in low, normal or high speed.

HINT: This switch won't work while your vehicle moves reverse.

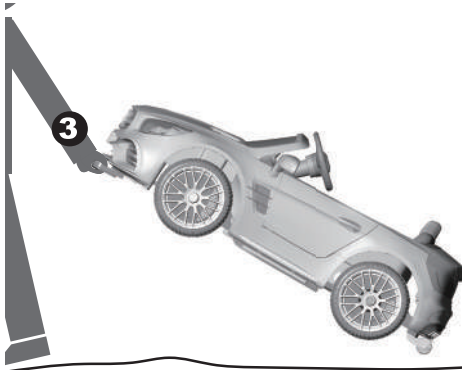
NOTE:

- Leave the remote controller idling for about 10 seconds, it will shut down automatically.
- Rebuild connection when you replace the batteries of the remote controller.



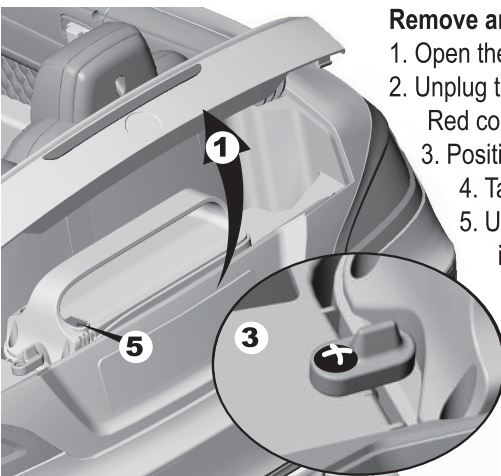
HOW TO USE THE PULL HANDLE

1. Rotate the support wheels out.
2. Rotate the Pull handle out.
3. You can move the vehicle by pulling.

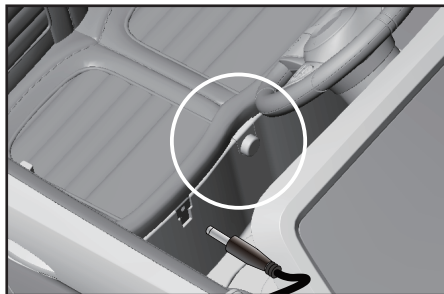


Remove and charge battery

1. Open the rear trunk lid.
2. Unplug the Red connector on the vehicle and the Red connector on the battery.
3. Position the battery lock switch to unlock.
4. Take the battery out from the vehicle.
5. Unplug the socket cover, and plug the charger input into the input socket on the battery.



Troubleshooting Guide



- The POWER SWITCH must be turned in **OFF** position when charging.
- After each use or once a month minimum recharge time as 8 to 12 hours, less than 20 hours at most.
- When the vehicle begins to run slowly, recharge the battery.
 1. Plug the charger port into the input socket. (below the seat)
 2. Plug the charger plug into a wall outlet. The battery will begin charging.



WARNING!

This product with **Charging Protection**: when charging, all functions will be cut off! Only an adult can charge and recharge the battery!

Maintaining

- It is parents' responsibility to check main parts of the toy before using, Must regularly examine for potential hazard, such as the battery, charge, cable or cord, plug, screws are fastening enclosure of other parts and that in the event of such damage, the toy must not be used until that damage had been properly removed.
- Make sure the plastic parts of the vehicle are not cracked or broken.
- Occasionally use a lightweight oil to lubricate moving parts such as wheels.
- Park the vehicle indoors or cover it with a tarp to protect it from wet weather.
- Keep the vehicle away from sources of heat, such as stoves and heaters. Plastic parts may melt.
- Recharge the battery after each use. Only an adult can handle the battery. Recharge the battery at least once a month when the vehicle Raider is not being used.
- Do not wash the vehicle with a hose. Do not wash the vehicle with soap and water. Do not drive the vehicle in rainy or snowy weather. Water will damage the motor, electric system and battery.
- Clean the vehicle with a soft, dry cloth. To restore shine to plastic parts, use a non-wax furniture polish. Do not use car wax. Do not use abrasive cleaners.
- Do not drive the vehicle in loose dirt, sand or fine gravel which could damage the moving parts, motors or the electric system.
- When not using, all the electrical source should be turn off. Turn off the power switch and disconnect the battery connection.

Problem	Possible Cause	Solution
Vehicle does not run	Battery low on power	Recharge battery.
	Thermal fuse has tripped	Reset fuse, see <Fuse>
	Battery connector or wires are loose	Check that the battery connectors are firmly plugged into each other. If wires are loose around the motor contact your distributor please.
	Battery is dead	Replace battery, contact your distributor please.
	Electrical system is damaged	Contact your distributor please.
	Motor is damaged	Contact your distributor please.
Vehicle does not run very long	Battery is under charged	Check that the battery connectors are firmly plugged into each other when recharging
	Battery is old	Replace battery, contact your distributor please.
Vehicle runs sluggishly	Battery low on power	Recharge battery, contact your distributor please.
	Battery is old	Replace battery, contact your distributor please.
	Vehicle is overload	Reduce weight on vehicle. Maximum user weight is 30 kg.
	Vehicle is being used in harsh conditions	Avoid using vehicle in harsh conditions ,see <Safety>.
Vehicle needs a push to go forward	Poor contact of wires or Connectors	Check that the battery connectors are firmly plugged into each other. If wires are loose around the motor, contact your distributor please.
	“Dead Spot” on motor	A dead spot means the electric power is not being delivered to the terminal connection and the vehicle needs repair. Contact your distributor please.
Difficult shifting from forward to reverse or vice-versa	Attempting to shift while the vehicle is motion	Completely stop the vehicle and shift, see <Use Your New Vehicle>
Loud grinding or clicking noises coming from motor or gear box	Motor or gears are damaged	Contact your distributor please.
Battery will not recharge	Battery connector or adapter connector is loose	Check that the battery connectors are firmly plugged into each other.
	Charger not plugged in	Check that the battery charger is plugged into a working wall outlet.
	Charger is not working	Contact your distributor please.
Charger feels warm when recharging	This is normal and not a cause for concern	

Completely read through this manual and the troubleshooting guide table before calling. If you still need help resolving the problem **Contact your distributor please.**



WARNING:

To reduce the risk of injury, adult supervision is required. Never use in roadways, near motor vehicles, on or near steep inclines or steps, swimming pools or other bodies of water; always wear shoes, and never allow more than 1 rider(s).



Disposal Of Battery

- Your sealed lead-acid battery must be recycled or disposed of in an environmentally sound manner.
- Do not dispose of your lead-acid battery in a fire. The battery may explode or leak.
- Do not dispose of a lead-acid battery in your regular, household trash. The incineration, land filling or mixing of sealed lead-acid batteries with household trash is prohibited by law.

Our products are suitable for ASTM F963; GB6675; EN71 and EN62115 standard.