

Read and understand this entire manual before using!

OWNERS MANUAL

with Assembly Instructions

- Suitable for 3+ Years
- Maximum user weight: 50kg

WARNING  Must be assembled by an adult.



LAMBORGHINI VENENO

Ride On Toy

A About Your New Vehicle | 1

On the purchase of your new Ride-On. This ride-on car will provide your child with many miles of riding of enjoyment. To help assure you and your rider a safe ride we ask you to please read this manual carefully, and keep it for future reference.

Follow the recommendations in this manual, they are designed to improve the safety and operation of your ride-on car and its rider.

Specification

	2WD	4WD	4WD
Battery	12V7AH X1	12V7AH X2	12V10AH X1
Charger input	12V700-1000mA	12V1500mA	12V900-1000mA
	Depend on local voltage		
Motor	550-12000	550-10000	550-10000

- Suitable age:** 3+ Years
Charge time: 8-12 hours
Load capacity: Under 50 kg
Size of car: 136 x 75 x 50.5 cm
Speed: 2-8 km/h

BATTERY INFORMATION

- Non-rechargeable batteries are not to be recharged.
- Rechargeable batteries are to be removed from the toy before being charged.
- Rechargeable batteries are only to be charged under adult supervision.
- Different types of batteries or new and used batteries are not to be mixed.
- Batteries are to be inserted with the correct polarity.
- Exhausted batteries are to be removed from the toy.

Our products are suitable for ASTM F963; GB6675; EN71 and EN62115 standard.

- Your sealed lead-acid battery must be recycled or disposed of in an environmentally sound manner.
- Do not dispose of your lead-acid battery in a fire. The battery may explode or leak.
- Do not dispose of a lead-acid battery in your regular, household trash. The incineration, land filling or mixing of sealed lead-acid batteries with household trash is prohibited by law.



Disposal Of Battery

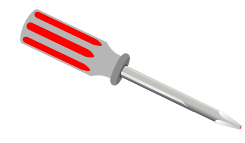
K

J Maintaining | 14

- It is parents' responsibility to check main parts of the toy before using, Must regularly examine for potential hazard, such as the battery, charge,cable or cord, plug, screws are fastening enclosure of other parts and that in the event of such damage, the toy must not be used until that damage had been properly removed.
- Make sure the plastic parts of the vehicle are not cracked or broken.
- Occasionally use a lightweight oil to lubricate moving parts such as wheels.
- Park the vehicle indoors or cover it with a tarp to protect it from wet weather.
- Keep the vehicle away from sources of heat, such as stoves and heaters. Plastic parts may melt.
- Recharge the battery after each use. Only an adult can handle the battery. Recharge the battery at least once a month when the vehicle Raider is not being used.
- Do not wash the vehicle with a hose. Do not wash the vehicle with soap and water. Do not drive the vehicle in rainy or snowy weather. Water will damage the motor, electric system and battery.
- Clean the vehicle with a soft, dry cloth. To restore shine to plastic parts, use a non-wax furniture polish. Do not use car wax. Do not use abrasive cleaners.
- Do not drive the vehicle in loose dirt, sand or fine gravel which could damage the moving parts, motors or the electric system.
- When not using, all the electrical source should be turn off. Turn off the power switch and disconnect the battery connection.

Fuse

The battery features a thermal fuse with a rest fuse that will automatically trip and cut all power to the vehicle if the motor, electric system or battery is overloaded. The fuse will reset and power will be restored after the unit is turned OFF for 20 seconds and then turned ON again. If the thermal fuse trips repeatedly during normal use, the vehicle may need repair. Contact your distributor please.



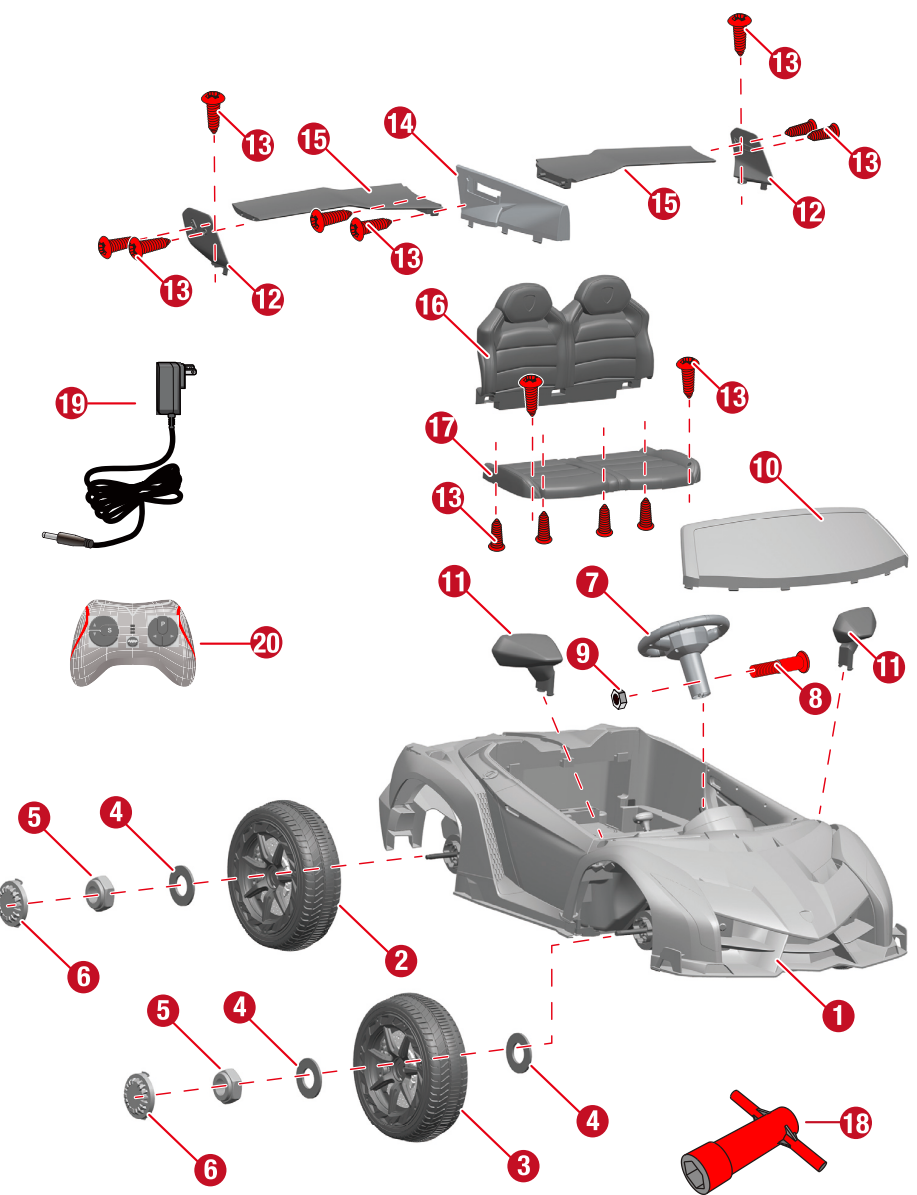
• Assembly tools required (not included): Screwdriver

NO.	PART NAME	QTY (PCS)		REMARK
		4WD	2WD	
1	Vehicle body	1	1	
2	Driving wheel	4	2	
3	Front wheel	/	2	
4	Ø12 washer	4	6	
5	Lock nut	4	4	
6	Hubcap	4	4	
7	Steering wheel	1	1	
8	M5X38 machine screw	1	1	
9	Ø5 lock nut	1	1	
10	Windshield	1	1	
11	Side mirror	2	2	left and right
12	Side spoiler	2	2	left and right
13	Ø4X12 screw	14	14	
14	Spoiler support	1	1	
15	Spoiler wing	2	2	left and right
16	Seat back	1	1	
17	Seat cushion	1	1	
18	Spanner	2	2	
19	Charger	1	1	
20	Remote controller	1	1	If equipped, only for type R/C

B Parts List | 2

C Parts Diagram | 3

HINT: Some parts shown are assembled on both sides of vehicle



Completely read through this manual and the troubleshooting guide table before calling. If you still need help resolving the problem Contact your distributor please.

Problem	Possible Cause	Solution
Vehicle does not run	Battery low on power	Recharge battery.
Vehicle does not run very long	Battery is under charged	Check that the battery connectors are firmly plugged into each other when recharging
Vehicle runs sluggishly	Battery is old	Replace battery, contact your distributor please.
Vehicle is overheat	Battery is old	Replace battery, contact your distributor please.
Vehicle is being used in harsh conditions	Vehicle is being used in harsh conditions	Avoid using vehicle in harsh conditions, see <Safety>
Vehicle needs a push to go forward	Poor contact of wires or connectors	Check that the battery connectors are firmly plugged into each other. If wires are loose around the motor, contact your distributor please.
"Dead Spot" on motor	A dead spot means the electric power is not being delivered to the terminal connection and the vehicle needs repair.	Contact your distributor please.
Difficult shifting from forward to reverse or vice-versa	Attempting to shift while the vehicle is motion	Completely stop the vehicle and shift, see <Use Your New Vehicle>
Loud grinding or clicking noises coming from motor or gear box	Motor or gears are damaged	Contact your distributor please.
Battery will not recharge	Battery connector or adapter connector is loose	Check that the battery connectors are firmly plugged into each other.
Charger not plugged in	Charger is not working	Check that the battery charger is plugged into a working wall outlet.
Charger feels warm when recharging	This is normal and not a cause for concern	Contact your distributor please.

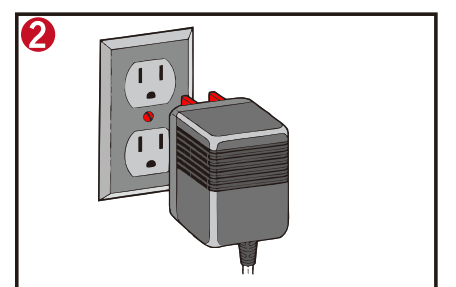
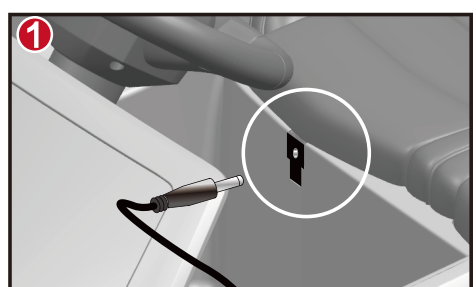
I Troubleshooting Guide | 13

H Charging | 12

WARNING!
ONLY AN ADULT CAN CHARGE AND RECHARGE THE BATTERY!

WARNING!
This product with **Charging Protection**: when charging, all functions will be cut off! Only an adult can charge and recharge the battery!

- The POWER SWITCH must be turned in **OFF** position when charging.
- Before the first use, you should charge the battery for 4-6 hours. Do not recharge the battery for more than 10 hours to avoid overheating the charger.
- When the vehicle begins to run slowly, recharge the battery.
- After each use or once a month minimum recharge time as 8 to 12 hours, less than 20 hours at most.
- Use the only rechargeable battery and charger supplied with your vehicle. NEVER substitute the battery or the charger with another brand. Using another battery or charger may cause a fire or explosion.
- Do not use the battery or charger for any other product.



1. Plug the charger port into the input socket. (below the seat)
2. Plug the charger plug into a wall outlet. The battery will begin charging.

- Rebuild connection when you replace the batteries of the remote controller.
- Leave the remote controller idling for about 10 seconds, it will shut down automatically.

NOTE:

HINT: This switch won't work while your vehicle moves reverse.

The switch operates the vehicle to move in low, normal and high speed.

3. Speed select button

Press the button to stop the vehicle, press it again to release the brake.

2. Brake button

If the low-speed indicator no response, means the connection failed. Turn off the remote controller (by removing the batteries) and the vehicle. And try again.

If the low-speed indicator goes to long bright, means the connection successful.

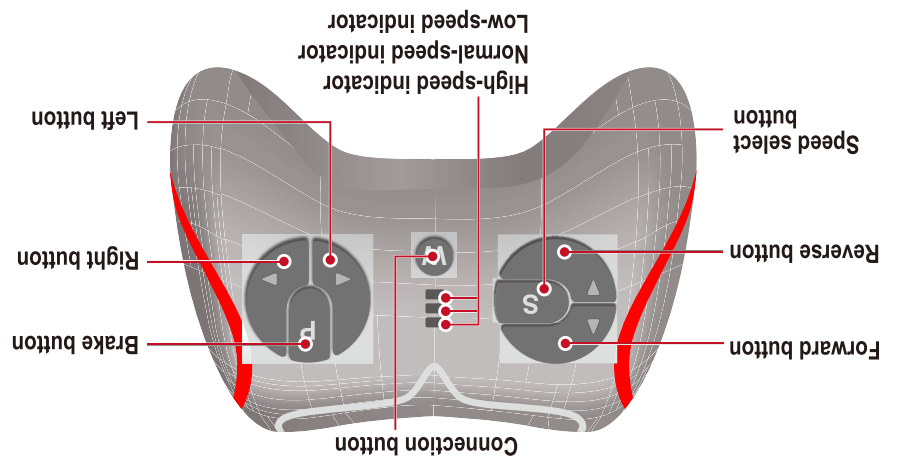
Press and hold the connect button for 3 seconds, the low-speed indicator flashes, mean that the remote controller is in the connected state. Then power on the vehicle, the low-speed indicator goes to long bright, means the connection successful.

1. Connect button (Build connection)

HINT: Batteries not included. Refer to the Battery Information on the page 1.

Lift the battery compartment door on the back of the controller and insert two AAA(LR03) batteries.

Attach the batteries of controller



G Use the Remote Controller | 11

- Keep Children within Safe Riding Areas:
- Never use in roadway, near motor vehicles, on lawn space, on or near steep inclines or steps, swimming pools or other bodies of water;
- Use the toy only on flat surfaces. Such as inside your house, garden or playground.
- Never use in the dark. A child could encounter unexpected obstacles and have an accident.
- Operate the vehicle only in the daytime or a well-lit area.
- It is prohibited to change the circuit or add other electric parts
- Inspect wires and connections of the vehicle periodically.
- Do not let any child touch the wheels or be near them when the car is moving.
- This vehicle has adjustable play seat belts. Please instruct children how to tie the safety belt before using, guarantee the security.

Rules for Safe Riding

- **CHOKING HAZARD!** Not suitable for children under 36 months.
- **ADULT ASSEMBLY REQUIRED.**

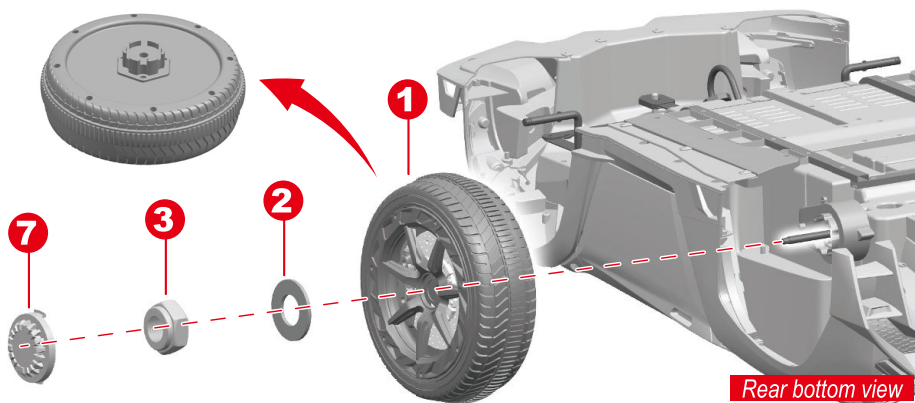
WARNING!

- **PREVENT INJURIES AND DEATHS: ADULT DIRECT SUPERVISION IS REQUIRED.** Always keep child in view when child is in vehicle.
- This toy should be used with caution since skill is required to avoid falls or collisions causing injury to the user or third parties.
- Protective equipment should be worn.
- Never use in roadways, near cars, on or near steep inclines or steps, swimming pools or other bodies of water.
- Always wear shoes, always sit on the seat.
- Not to be used in traffic.
- This toy is unsuitable for children under 36 months due to its maximum speed; Maximum user weight is 50 kg.
- This toy has no brake.



D Safety | 4

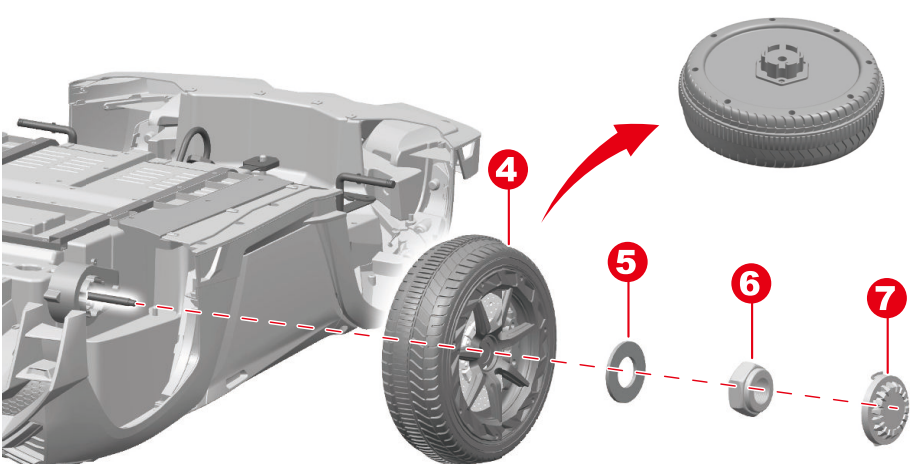
E Attach the Rear Wheels | 5



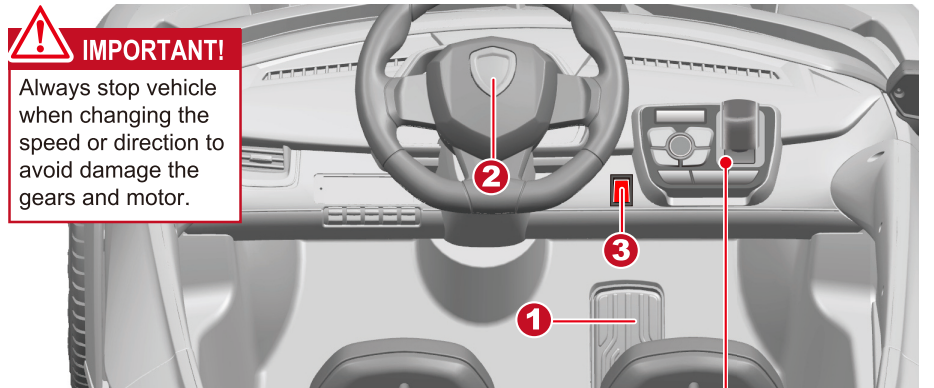
1. Slide a driving wheel onto the rear axle.
2. Slide a Ø12 washer onto the rear axle.
3. Tighten a lock nut to the end of the rear axle with a spanner.
- 4-6. Repeat for the other rear wheel.

Hint: An extra spanner has been provided to hold the lock nut on the other side of the rear axle while tightening the lock nut on the other side.

7. "Snap" the hubcap to the driving wheel.



F Using Your New Vehicle | 10



IMPORTANT!
Always stop vehicle when changing the speed or direction to avoid damage the gears and motor.

1. **Foot pedal:**
 - To move the vehicle, press the pedal down.
 - To brake or slow down, release pressure from the pedal.

2. **Horn button:** Press for horn playing.

3. **2WD/4WD switch (4WD product only):**
Changes the vehicle moves in 2WD or 4WD mode.

- A. Power Switch:** Press it to power on the vehicle, long press it for 3 seconds to power off.

- B. Forward/Reverse switch:**
Changes the direction that vehicle moves from forward to reverse. The vehicle equipped with 2 speeds in forward: high speed / low speed.

- C. Display screen:** It displays the power level of the battery when the vehicle stops. When the numerical value is less than 12, recharge the battery please.

- D. Lights button:** Turns the lights on and off.

- E: Play / Pause**

- F. Previous / decrease volume**

- G. Next / Increase volume**

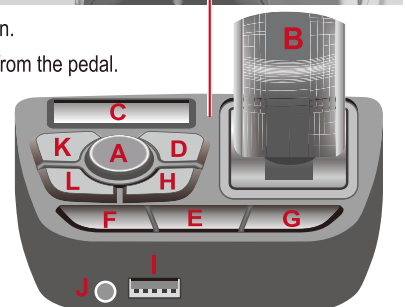
- H. Rocking mode**

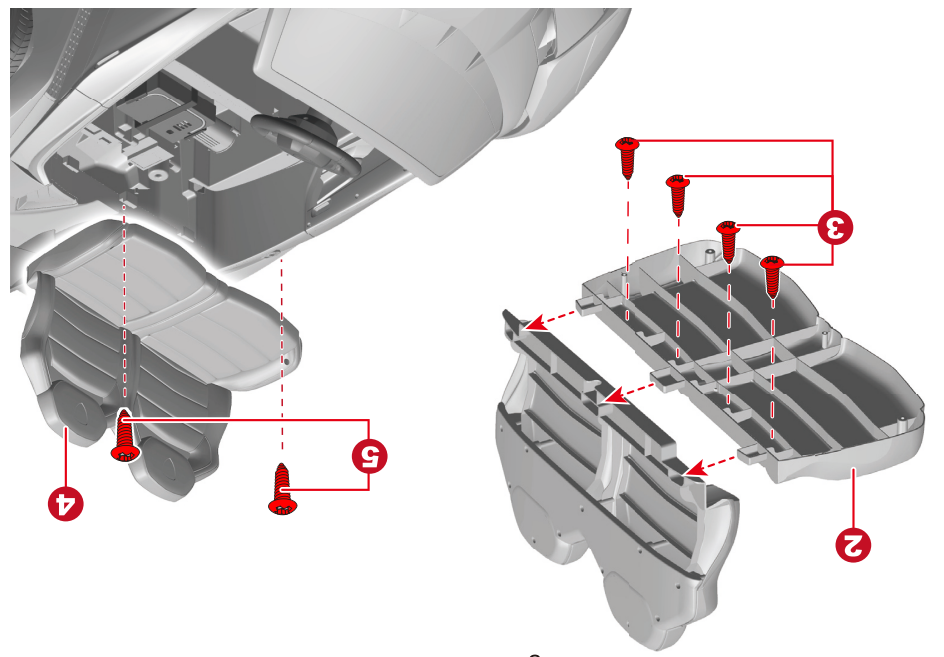
- I. USB interface:** Allow the audio from your portable device to be played through the vehicle speakers. MP3 format ONLY.

- J. 3.5mm AUX input:** Allow the audio from your portable music player or phone to be played through the vehicle speakers. MP3 format ONLY.

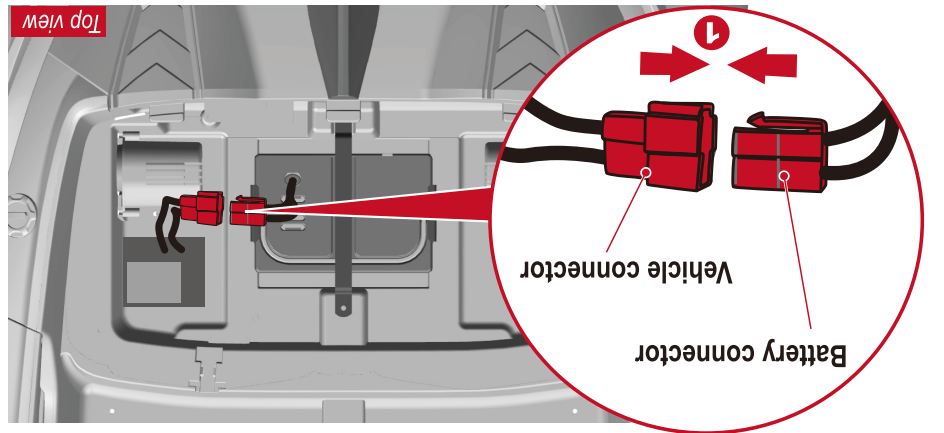
- K. Music mode**

- L. Change the audio input from the FM radio, USB, AUX input or Bluetooth**
Under the FM radio mode, long press button E (play/pause) for radio searching. When your phone connected to the product with bluetooth, the product could answer the call through the microphone inside the dash.





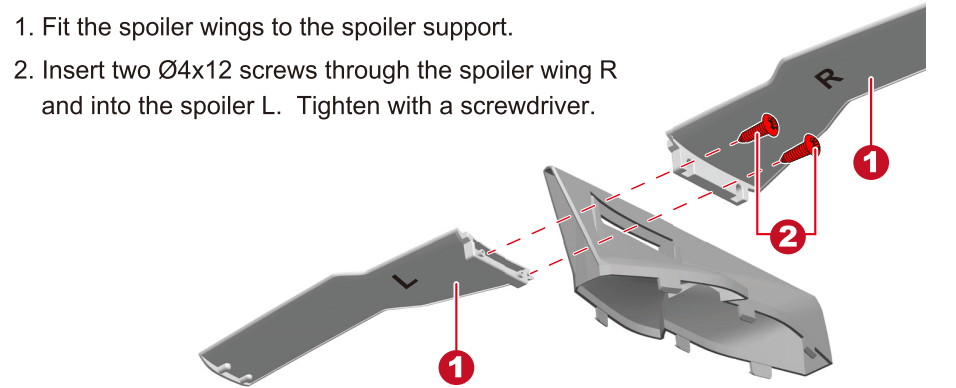
1. Plug the Red connector on the vehicle into the red connector on the battery.
2. Fit the seat cushion into the seat back.
3. Insert and tighten four Ø4x12 screws with a screwdriver.
4. Insert the tabs on the seat back into the slots on the vehicle body.
5. Insert two Ø4x12 screws and tighten with a screwdriver.



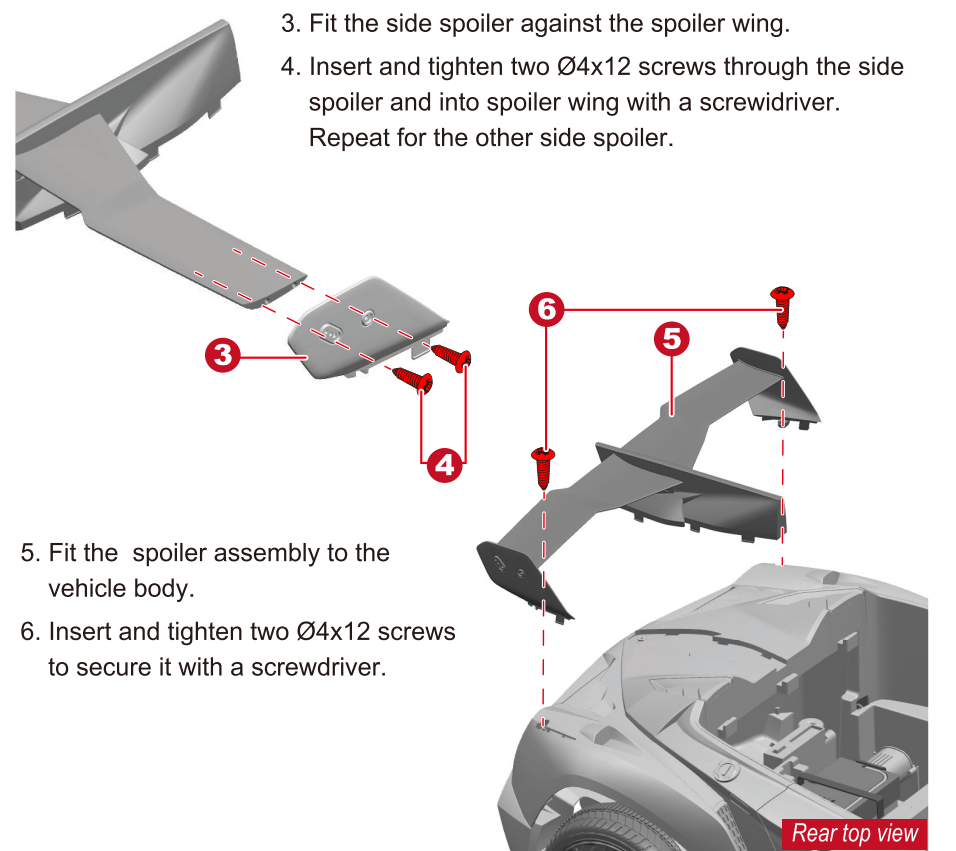
E Connect the Power Supply & Attach the Seat | 9

E Attach the Side Window & Wing Mirror | 8

1. Fit the spoiler wings to the spoiler support.
2. Insert two Ø4x12 screws through the spoiler wing R and into the spoiler L. Tighten with a screwdriver.

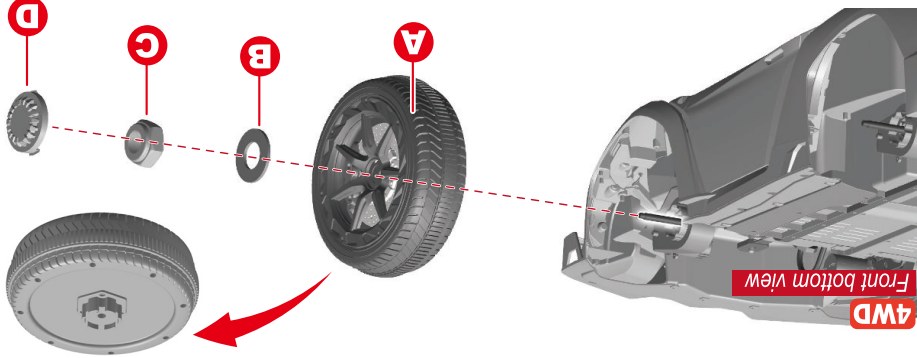


3. Fit the side spoiler against the spoiler wing.
4. Insert and tighten two Ø4x12 screws through the side spoiler and into spoiler wing with a screwdriver. Repeat for the other side spoiler.



5. Fit the spoiler assembly to the vehicle body.
6. Insert and tighten two Ø4x12 screws to secure it with a screwdriver.

- Remove all the parts from the front axle.
- A. Slide a driving wheel onto the front axle.
 - B. Slide a Ø12 washer onto the front axle.
 - C. Tighten a lock nut to the end of the front axle with a spanner.
 - D. "Snap" the hubcap to the driving wheel.
- Repeat for the other front wheel.

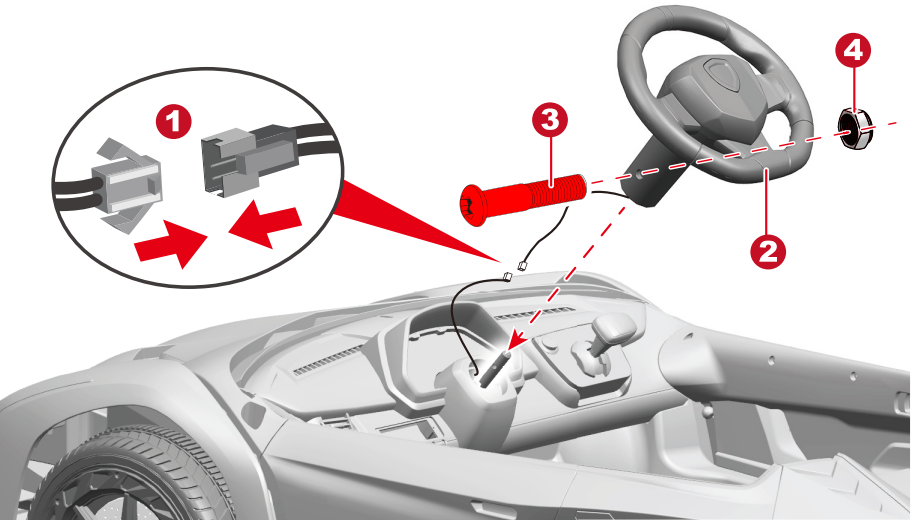


- Remove all the parts from the front axle.
1. Slide a Ø12 washer onto the front axle.
 2. Slide a front wheel onto the front axle.
 3. Slide a Ø12 washer onto the front axle.
 4. Tighten a lock nut to the end of the front axle with a spanner.
 5. "Snap" the hubcap to the driving wheel.
- Repeat for the other front wheel.

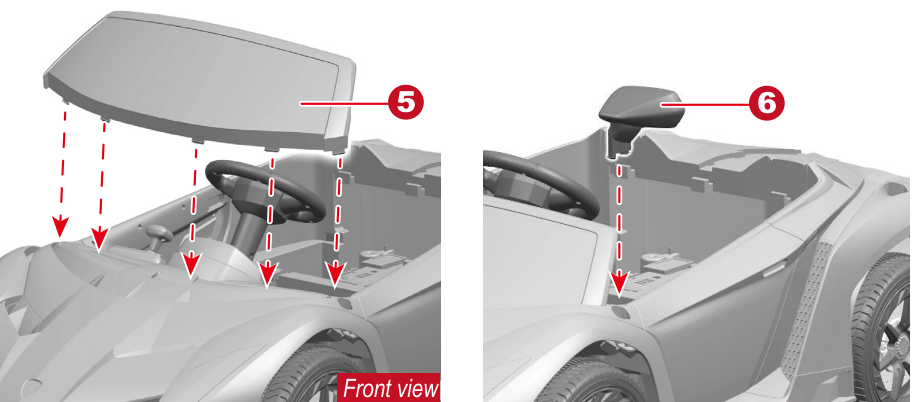


E Attach the Front Wheels | 6

E Attach the Steering Wheel, Windshield & Side Mirrors | 7



1. Plug the sound unit connector on the steering wheel into the connector on the vehicle body.
2. Fit the steering wheel to the end of the steering column.
3. Line up the holes on the steering wheel with the holes on the steering column, insert the M5x38 machine screw.
4. Fasten a lock nut on the opposite end of the screw with a screwdriver.
5. Insert the tabs on the windshield into the slots on the vehicle, push until you hear "click" into place.
6. Fit side mirrors to the vehicle body.



Front view

Rear top view