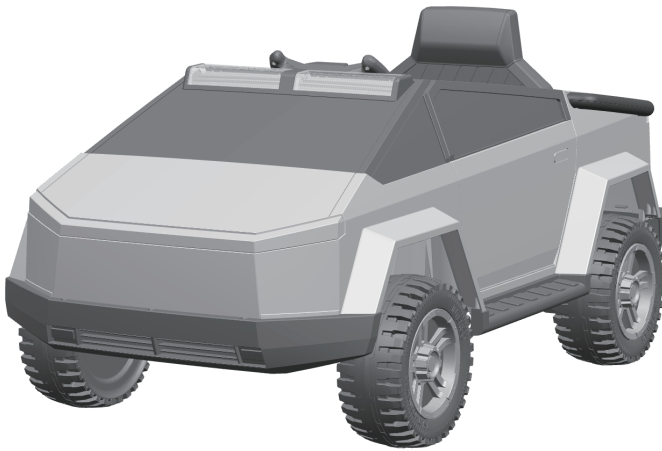


Children's Ride On Car BRD-2102



Instruction for Installation and Operation

- Please read this manual carefully before use.
- Please don't use it on the roadway for it isn't a traffic tool.
- This manual contains important information, please properly keep it for future reference.
- For product improvement purpose, part of the product structure, appearance, packing and assembly method might be changed without prior notice. If there's any difference between this manual and the product, please in kind prevail. Thanks for your understanding!

Contents

1. About This Product	Page 2
2. Assembly Parts List	Page 3
3. Assembly Parts Diagram	Page 4
4. Assembly Steps	Page 5-7
5. Operation Guide	Page 8-12
6. About Charging	Page 13
7. Troubleshooting	Page 14
8. Maintenance	Page 15
9. Battery Disposal	Page 16

About This Product


Thanks for choosing our product. We sincerely hope this product could bring happiness to your children. Please read this manual carefully before use.

Suitable Age	36-95 months	Battery	DC12V7AH*1/12V10AH*1
Load Weight	66lbs	Motor	Steering RS-380 RPM12V5500 Driving RS-550 RPM12V10000
Material	PP	Optimum Temperature	Below 40°C
Charging	Input :100-240V 50-60HZ	Charging Time	8-12 hours no more than 20 hours
	Output : 12V700mA/12V 1000mA	Fuse	10A self-resetting
Size	113 *62 *55 CM		

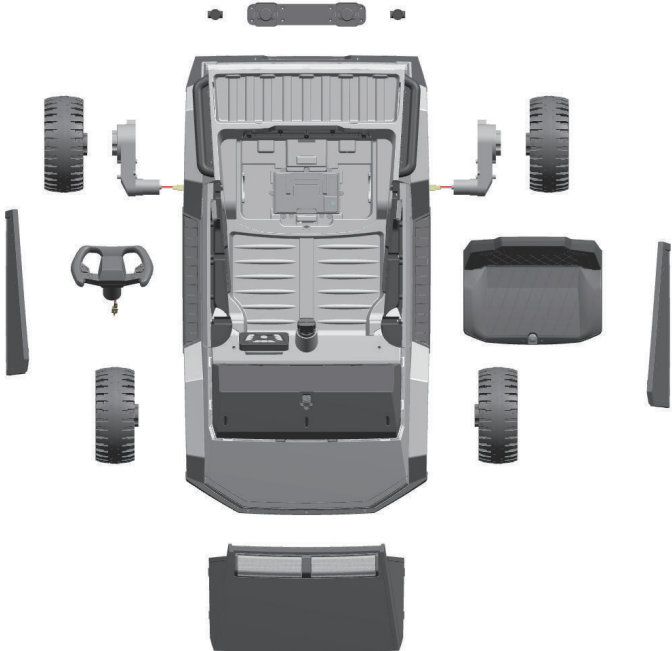
Warning!

- For your children's safety, please read all warnings and instructions carefully before use. And keep this manual properly for future reference.
- This product should be assembled by adults only. Product contains small parts, please keep away from children when assembling.
- Remove protective material and plastic packing bags before assembly, and dispose them properly after assembly complete.

Assembly Parts List

NO.	NAME	PICTURE	QTY	NO.	NAME	PICTURE	QTY
1	Body		1	2	Windshield		1
3	Seat		1	4	Wheel		4
5	Steering wheel		1	6	Drive motor		2
7	Rear axle fixed mount		1	8	Charger		1
9	Window		2	10	Screw		15
11	Instruction		1	12	Seat knob		1
13	Remote control		1				


Assembly Parts Diagram




Note: some parts need to be installed on both sides of the product.

NO.	NAME	QUANTITY	NO.	NAME	QUANTITY
1	Car body	1	2	Windshield	1
3	Seat	1	4	Wheel	4
5	Steering wheel	1	6	Drive motor	2


Tools required



Screwdriver
(not included)



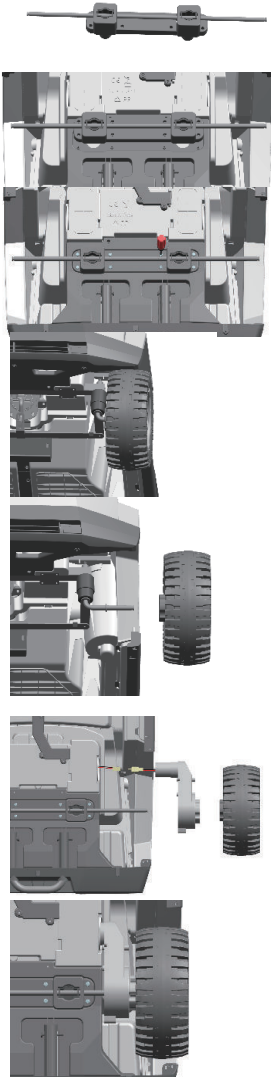
Pliers (not included)



Hammer
(not included)

Assembly Steps

- This product should be assembled by adults. Assembly may take 40 minutes or more. Unassembled parts might have hazardous sharp edge or tip, and contain small parts, please keep away from children.
- Please confirm all mentioned parts are included before assembly and don't dispose them until assembly is finished.
- Assembly tools needed: screwdriver (not included), pliers (not included), hammer (not included).



1. Install the rear axle fixed mount

- Turn over the car body at first.
- Then take out the rear axle fixed mount and fix it on the car with 8 flat head screws (4*12).

2. Install the front wheels

- Take out two wheels (no distinction between front and rear).
- Fit the wheel on the front axle, push the quick release button in the middle of the wheel and push the wheel hard till it is tight.
- Repeat above steps to install the other front wheel.

3. Install the rear wheels

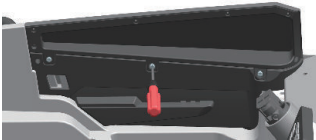
- Take out drive motors (no distinction between left and right) and the remaining wheels.
- Fit the motor on the rear axle.
- Then fit a wheel beside the motor, push the quick release button in the middle of the wheel and push the wheel hard till it is tight.
- Repeat above steps to install the other rear wheel.

Assembly Steps



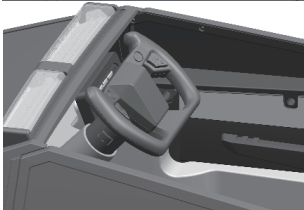
4. Install the windows

- Take out the windows.
- Distinguish left and right, align them to the slots on the door respectively and push down with force.
- Then severally fix them with 3 flat head screws (4*12).



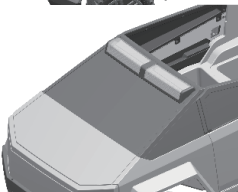
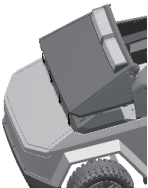
5. Install the steering wheel

- Connect the wire connector on steering wheel and steering groove, and place it into the steering groove.
- Then hold the buttons on both sides of the steering wheel column, and gently push the steering wheel into the groove until the buttons stuck in the holes on the groove.

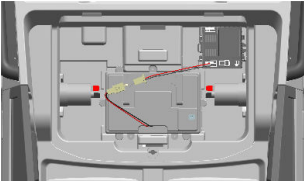


6. Install the windshield

- Connect the wire connector on windshield and car body (not applicable for the version without alarm light).
- Then align the windshield to the slot on the car and push down to fix it.



Assembly Steps



7. Connect the power unit

- Before install the seat, match all wiring harnesses on the battery and in battery groove according to wire colors.

Warning! Anode and cathode reverse is not allowed.



Battery Safety Warning!

Different models or new and used batteries cannot be used together.
Non-rechargeable batteries cannot be charged.

Rechargeable batteries can only be charged by adults.

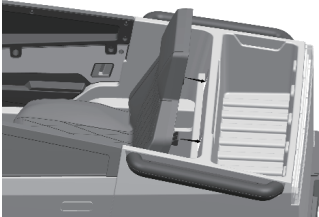
Please take out the rechargeable battery from product before charging.

Always connect the anode and cathode correctly.

Exhausted batteries should be taken out from the product in time.

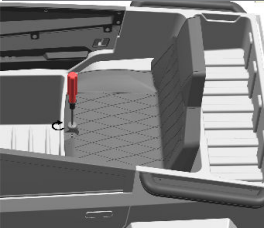
Short circuit is prohibited.

Do not use dry batteries.



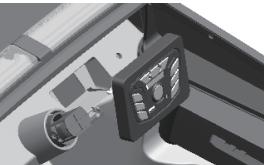
8. Install the seat

- Find the seat limiting device on the car.
- Align the seat to the limiting device and fix it.
- Insert the seat knob into the hole at front end of the seat, and rotate for 90° to lock the seat.

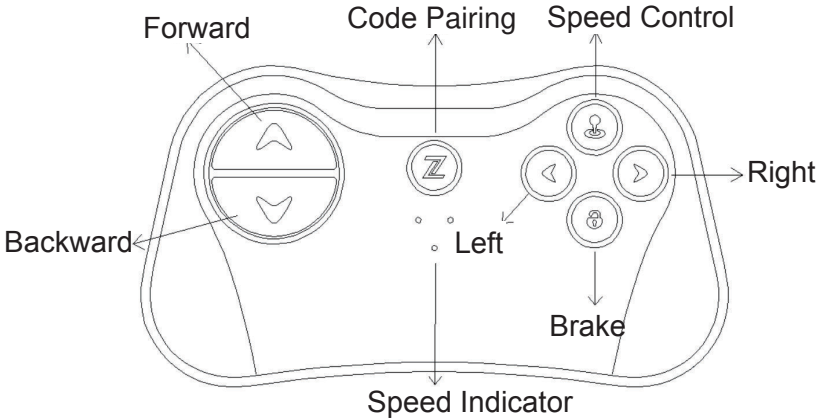


9. Install the music player

- Embed the music player in the opening beside steering wheel (as shown).
- Then fix it with a flat head screw (4*12).



Operation Guide



Forward: Control the product to go forward.

Backward: Control the product to go backward.

Code Pairing: Wireless pairing the remote control with the car.

Left: Control the product to turn left.

Right: Control the product to turn right.

Speed Control: Switch the product speed between high speed, medium speed and low speed.

Brake: Emergency brake and lock the car. The car will stop working when locked, press again to unlock it.

Wireless pairing instructions

1. Switch on the power of the car, press and hold the code pairing button, then the speed indicator starts flashing.
2. When the speed indicator stops flashing, release the code pairing button and the speed indicator light will be off.
3. If the speed indicator lights up again, pairing successful; otherwise, pairing failed. Repeat above steps until successfully pairing.
4. Once paired successfully, no pairing needed for future use.

Battery installation of remote control

Use a screw driver to open the cover of battery compartment on the remote control and put two AAA batteries (AAA1.5V) in, pay attention to battery polarity. The LED indicator light will be on if batteries are correctly placed. Close the back cover and tighten the screws. If the LED indicator light dims or flashes during operation, that means the batteries need to be replaced.

Operation Guide



Warning!

Prevent injuries and personal safety accidents:

- Do not leave children alone on this product. This product should only be used under supervision of adult.
- Never use on roadways or slopes, near vehicles or swimming pools, and in other dangerous areas.
- Always wear shoes when use.
- Always sit down instead of stand up when use.
- Applicable age: 36-95 months; load limit: 66lbs.
- Please don't use this product in the crowd.

Please make sure all the following steps have been completed before use:

- Attention! Please charge this product for 8-12 hours before first time use, no more than 20 hours. The product should only be charged by adults.
- The assembly process should be operated by adults. The power supply and circuit parts have already been assembled.
- Fix all parts and tighten all screws before use.

Safety rules for use

Please read the following safety rules for your children and their playmates and make sure they understand these rules correctly.

- This product doesn't equipped with a brake, please always wear a helmet and protective devices when use.
- This product should only be used under supervision of adults.
- Use this product in safe places.
- Never use on roadways or slopes, near vehicles or swimming pools, and in other dangerous areas.
- Use this product on flat grounds, such as indoors or in the park.
- Never use in the dark so to avoid unexpected accidents.
- It is not recommended to use this product on wet ground or on slopes exceeding 15°.
- Do not use this product outside in rainy or snowy days.
- Make sure the car is completely stop before switch between forward and backward.
- Please follow the applicable age range and load limit requests.

Operation Guide

- It is prohibited to change the circuit or add other electric parts.
- Check the wires regularly.
- Check the product before each use to ensure the safety of children.
- Do not let children stand near this product when it is moving, especially near the wheels.
- This product has adjustable seatbelt, please show your children how to use it properly. Please fasten the seatbelt when use.

Operation steps (please make sure the car is powered on)



Power switch

D Forward button

R Backward button

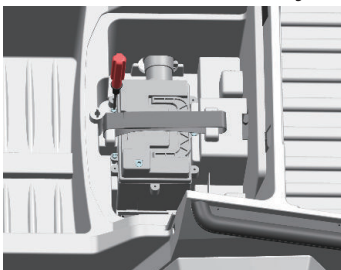
Siren button (this function is invalid in the version without alarm light)

Foot pedal

Important!
Always stop this product before change the speed or direction to avoid gearbox and motors damage.

- | | |
|--|--|
| 1) Turn on the power. | 3) Stop |
| 2) Forward
Press the "D" button.
Step on the foot pedal.
Product will go forward. | Release the foot pedal. |
| | 4) Backward
Press the "R" button.
Step on the foot pedal.
Product will go backward. |

Removable battery box

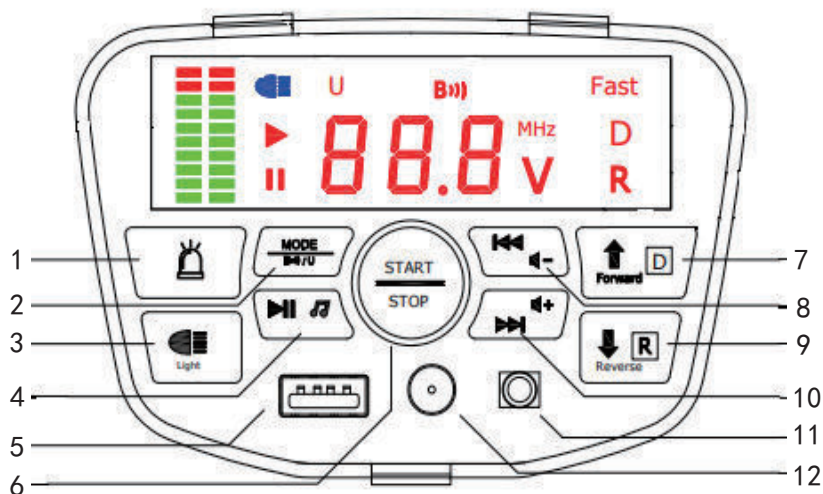


1. Remove the seat.
2. Unfasten the strap (as shown) and loosen the screws that are used to fix the battery box.
3. Take out the battery box and charge it.
4. Battery box can be fixed with belt only after then.



Operation Guide

MP3 player



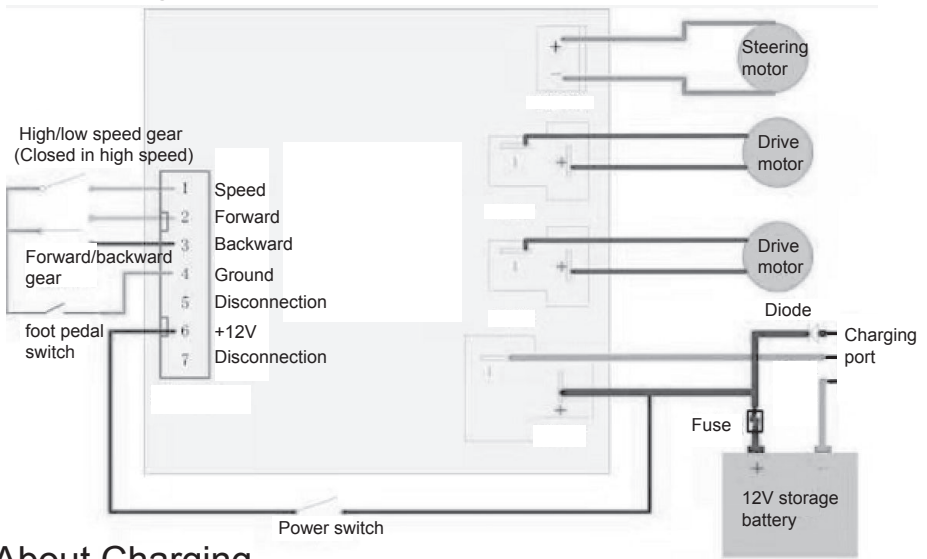
1. Siren button (whistle button for the version without alarm light)
2. Bluetooth and music button
3. Light on/off button
4. Music play/pause button
5. USB port
6. Start/stop button (short press to start the car, long press to shut off)
7. Forward button
8. Last song (long press for volume down)
9. Backward button
10. Next song (long press for volume up)
11. AUX port
12. Charging port

Steering wheel



Operation Guide

Circuit diagram



About Charging

Charging must be done by adults!



Warning!

- Prevent fire hazard and electric shock.
- Use the original rechargeable battery that comes with this product. Do not replace or refit the battery, or it may cause fire or explosion.
- Do not use the battery or charger of this product on other products, or it may cause overheating, fire or explosion.
- Do not refit the circuit of this product, that may cause a fire or explosion, or permanently damage the product.
- Do not connect the power terminals directly, otherwise fire or explosion may occur.
- Keep liquids away from charging devices.
- Do not charge this product near overheating or flammable materials since inflammable gas will be produced when charging. Charge the battery in draughty place.
- Use proper tools to take out the battery of this product. Do not remove the battery by metal wires, or it may cause a fire.
- Please charge the battery in dry place.

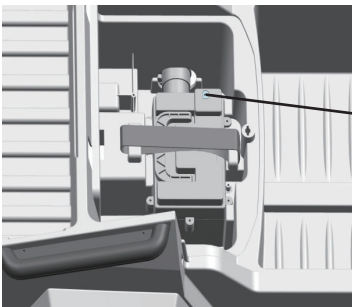
About Charging



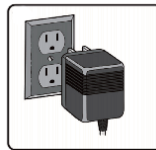
Warning!

- Remove the overheated parts and wash your hands immediately.
- Do not open the battery, it contains lead and acid substances, which can cause poisoning and corrosion.
- Do not disassemble the charger. Exposed wires would cause an electric shock. Charging must be done by adults.
- Keep the battery properly. Battery drop may permanently damage it.
- Make sure the circuit and parts are in good condition before charging. Do not charge if there is any damage.
- Battery runs out is not allowed. Please charge the product timely after each time use. If not use for a long time, please charge it regularly every month.
- Battery electrode reverse is not allowed.
- Make sure the battery is well covered to avoid unexpected injury to children.
- Use this product under supervision of adults.
- To prevent children from falling and injury, please be careful when using this product.

- Please turn off the power when charging.
- Please charge this product for 8-12 hours before first time use. To avoid overheating, do not charge for more than 20 hours.
- Please charge in time if the car slowed down during normal driving.
- Please charge timely after each time use. If the product will not be used for a long time, charge it regularly every month. 8-12 hours for each time charging, no more than 20 hours.



Charging port



Warning!

This product is equipped with charging protection device. All functions will not be available when charging.

1. There is a charging port on the battery.
2. Take down the seat knob and remove the seat.
3. Plug the charger in the charging port.
4. Plug the charger into the socket and start charging.

Troubleshooting

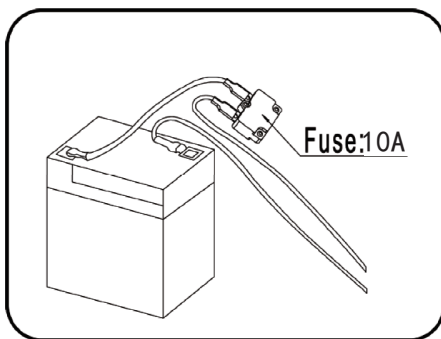
■ Problem: The product did not move

Cause: low battery.

Please charge the product timely after each time use. If the product will not be used for a long time, charge it regularly every month. 8-12 hours for each time charging, no more than 20 hours.

Cause: thermal fuse cut off.

This product is equipped with self-resetting fuse. When the product is overloaded or be operated incorrectly, the self-resetting fuse will be cut off for 5-20 seconds and can be reused after then. The self-resetting fuse is under the seat. (As shown)



To prevent the fuse from being cut off, please refer to the following advises:
Do not overload. The maximum load weight is 30KG.

Do not use this product to pull things.
Do not drive on slopes.

Avoid getting the wheels in trouble, which will cause the wheels rotate at a high speed and motors overheating.

Do not use this product in hot weather; it will cause accessories overheating.
Do not change the circuit by yourself; it will cause short circuit.

Cause: screws on wheels are loose

When screws on wheels are loose, the car will not be able to go forward.
Please carefully check all wheels and make sure all screws are tightened before each time use.

Cause: battery connector is loose

Make sure the battery connects well before each time use.

Cause: battery is damaged

Make sure to replace the battery timely and insert it correctly.

Cause: circuit is damaged

Keep the product away from liquids and sands to prevent circuit damage.

Cause: motor is damaged

Needs professional maintenance.

Troubleshooting

■ Problem: battery cannot be charged

Cause: battery connector is loose

Make sure the battery connects well before each time use.

Cause: The charger is not plugged in.

Make sure the charger plugs in and power is on.

Cause: charger failure.

Does the charger get hot when charging? If not, it might have been damaged.

Please replace the charger in time.

■ Problem: battery life is short

Cause: low battery.

Please charge timely after each time use. If the product will not be used for a long time, charge it regularly every month. 8-12 hours for each time charging, no more than 20 hours.

Cause: ageing of battery

The ageing speed and degree of a battery is different according to how often it is used. Please replace the battery in time if it is ageing.

■ Problem: there's some noise when charging

It's normal.

■ Problem: heat when charging

It's normal.

Maintenance

- Adults should regularly check the parts of this product, such as battery, charger, wires, switch and others. Make sure all fixing parts are well fixed and no screw is loose. Stop using if potential risks exist until repaired.
- Make sure the plastic parts of this product are not cracked or broken.
- Lubricate the product after using a period of time to prevent rust.
- Please store the product indoors. In case of wet weather, please cover the product with waterproof cloth.
- Keep this product away from heat source, or plastic parts will be melted.
- Please charge timely after each time use. If the product will not be used for a long time, charge it regularly every month. Charging must be done by adults.
- Do not clean the product with soap and water, that will damage the motors and cause short circuit.
- Wipe clean with dry cloth. Non-waxy furniture polish can be used instead of soft cloth to wipe the plastic parts, so to achieve surface finish effect.
- Do not use this product in dangerous areas like streets, roads, slopes and gravel roads etc., so to avoid motors and circuit damage.
- Please turn off the power when not use this product. Disconnect the battery if not use for a long time.

Battery Disposal

Disposal of battery

- Storage battery can be recycled and cannot be disposed at will.
- Do not dispose the battery near the fire, it will cause explosion and leakage.
- Do not dispose the battery together with household waste. It is strictly forbidden by law to incinerate batteries and household waste together.
- Dispose used batteries into the designated dustbin or give it to a professional worker.
- Please consult the relevant institution for a reasonable way to handle the battery before dispose it by yourself.
- Charge the battery before use. Charging must be done by adults.
- Charging within the specified voltage range only. Do not operate the product when charging.
- Regularly Check the sockets, wires, charging case and other parts. Stop using the product if there is any damage.
- Remove the battery cover in back of the remote control, put in 2 AAA batteries correctly. (Batteries should be replaced by adults).
- Make sure the positive and negative poles of all batteries are correct placed.
- Non-rechargeable batteries cannot be charged; take it out of product after run out.
- Different models or new and used batteries cannot be used together.
- Check the storage battery regularly; if any damage is found, please stop using it until repaired.